

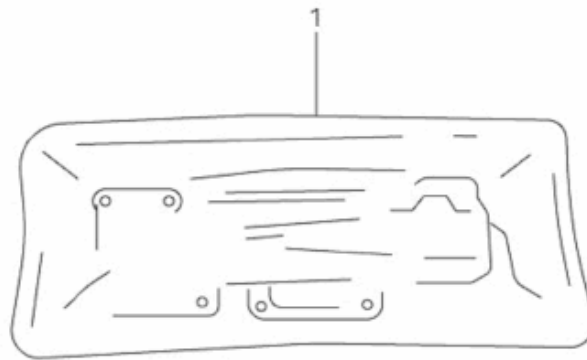
Libro de taller Suzuki VL 800 2005



Indice

- | | |
|---|--|
| 01.Sistema de juntas | 30.Intermitentes |
| 02.Culata delantera | 31.Lampara de combinaci3n
posterior |
| 03.Culata trasra | 32.Electricidad |
| 04.Cilindro | 33.Interruptores manillar |
| 05.Carter del motor | 34.Bastidor |
| 06.Cubierta del carter del
motor | 35.Apoyos del bastidor |
| 07.Cigüeñal | 36.Freno trasero |
| 08.Embrague | 37.Reposapias |
| 09.Válvula del arbol de levas | 38.Deposito de gasolina |
| 10.Cadena de la leva | 39.. |
| 11.Cuerpo de la válvula
reguladora | 40.Sistema de evado... |
| 12.Filtro del aire | 41.Cubiertas del bastidor |
| 13.Silenciadores | 42.Cubierta del faro |
| 14.A-Bomba de aceite 14B-
Bomba de gasolina | 43.Guardabarros delantero |
| 15.Bomba de agua | 44.Manillar |
| 16.Radiador | 45.Manetas de freno y
embrague |
| 17.Manguera del radiador | 46.Guardabarros trasro |
| 18.Segundo aire | 47.Portaherramientas |
| 19.Embrague | 48.Etiquetas |
| 20.Transmisi3n | 49.Asientos |
| 21.Engranaje impulsor
secundario | 50.Apagador delantero |
| 22.Cambio de marchas | 51.Tija |
| 23.Eje del propulsor engranaje
final del conductor | 52.Rueda delantera |
| 24.Motor de arranque | 53.Calibrador delantero |
| 25.Alternador | 54.Hidraulico delantero |
| 26.Bateria | 55.Brazo de pilotaje posterior |
| 27.Electrico | 56.Palanca posterior del
amortiguador |
| 28.Velocímetro | 57.Opcional |
| 29.Lampara principal | 58.Colores |
| | 59.Conversiones |

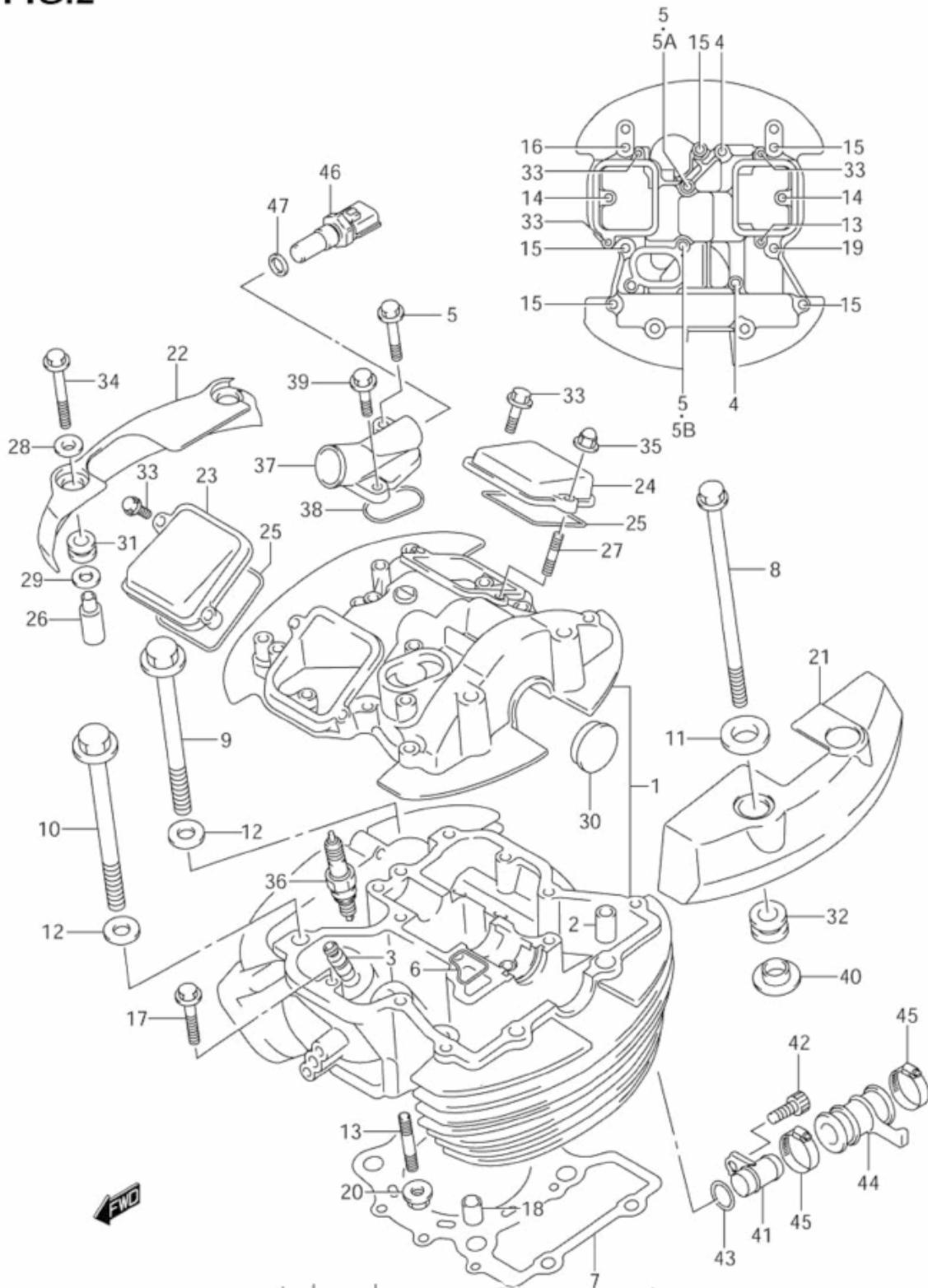
FIG.1



www.Alpha-Sports.com

VL800K1 E03 E28_001
GASKET SET

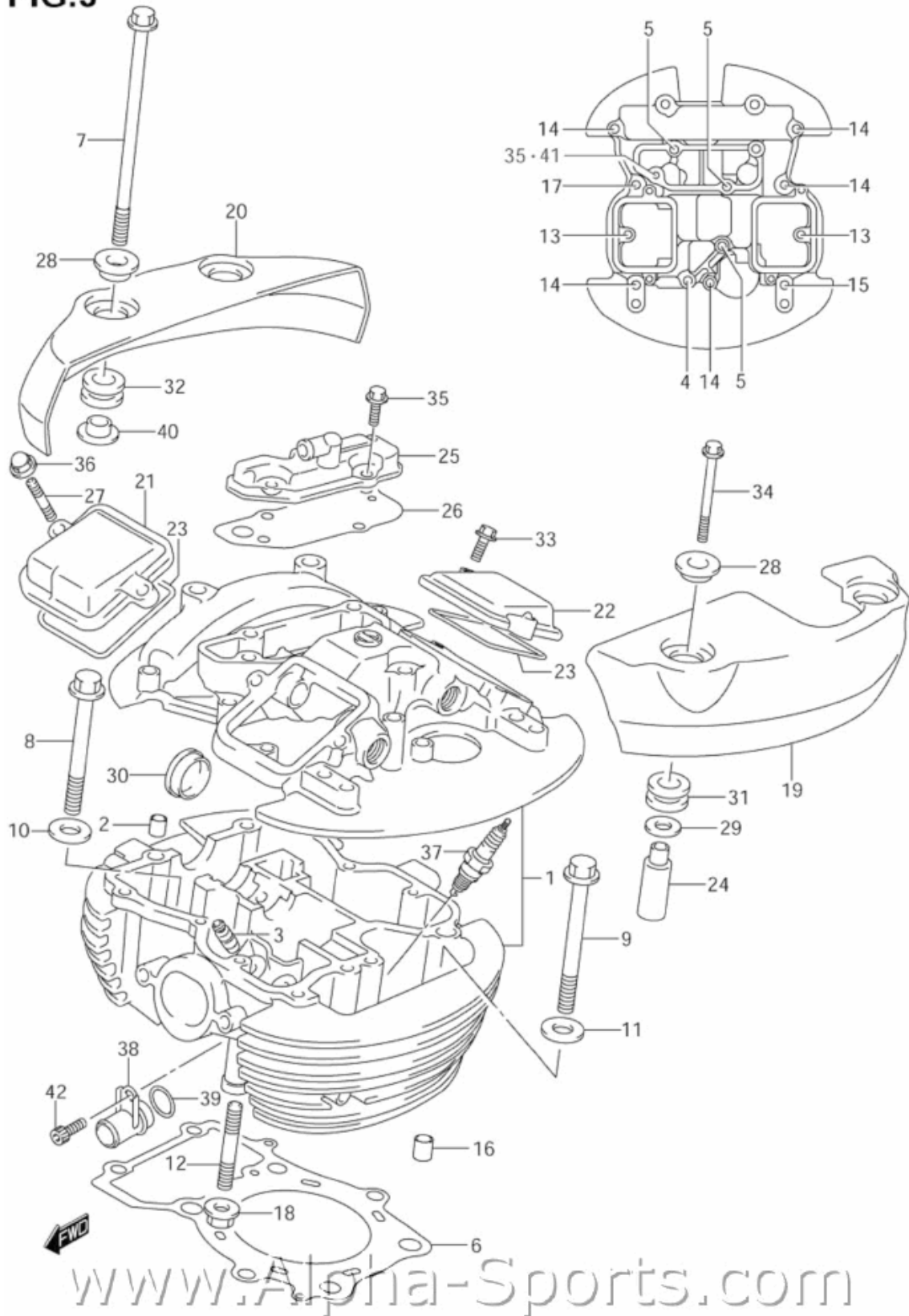
FIG.2



www.Alpha-Sports.com

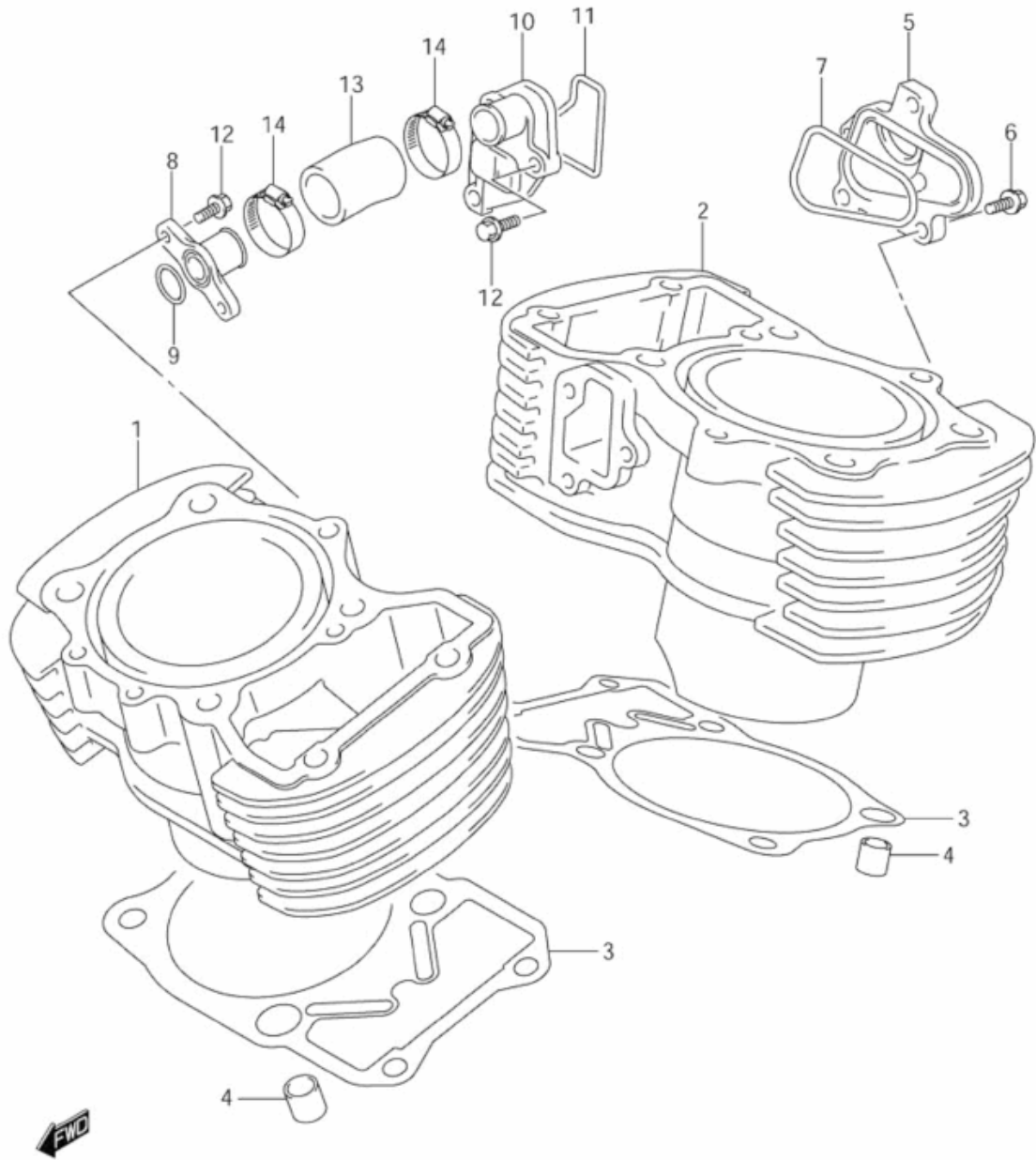
VL800K1 E03 E28_002
FRONT CYLINDER HEAD

FIG.3



VL800K1 E03 E28_003
REAR CYLINDER HEAD

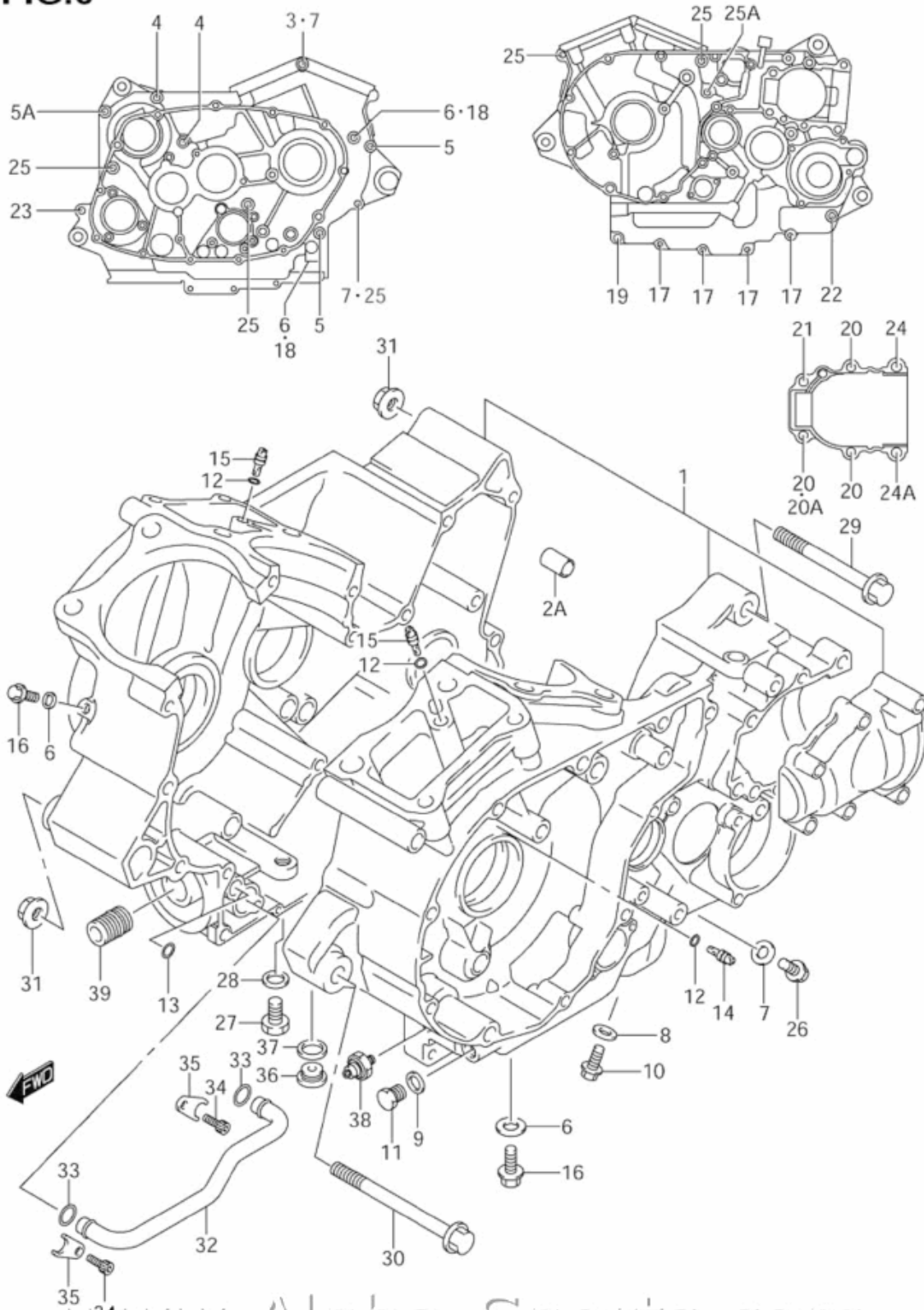
FIG.4



www.Alpha-Sports.com

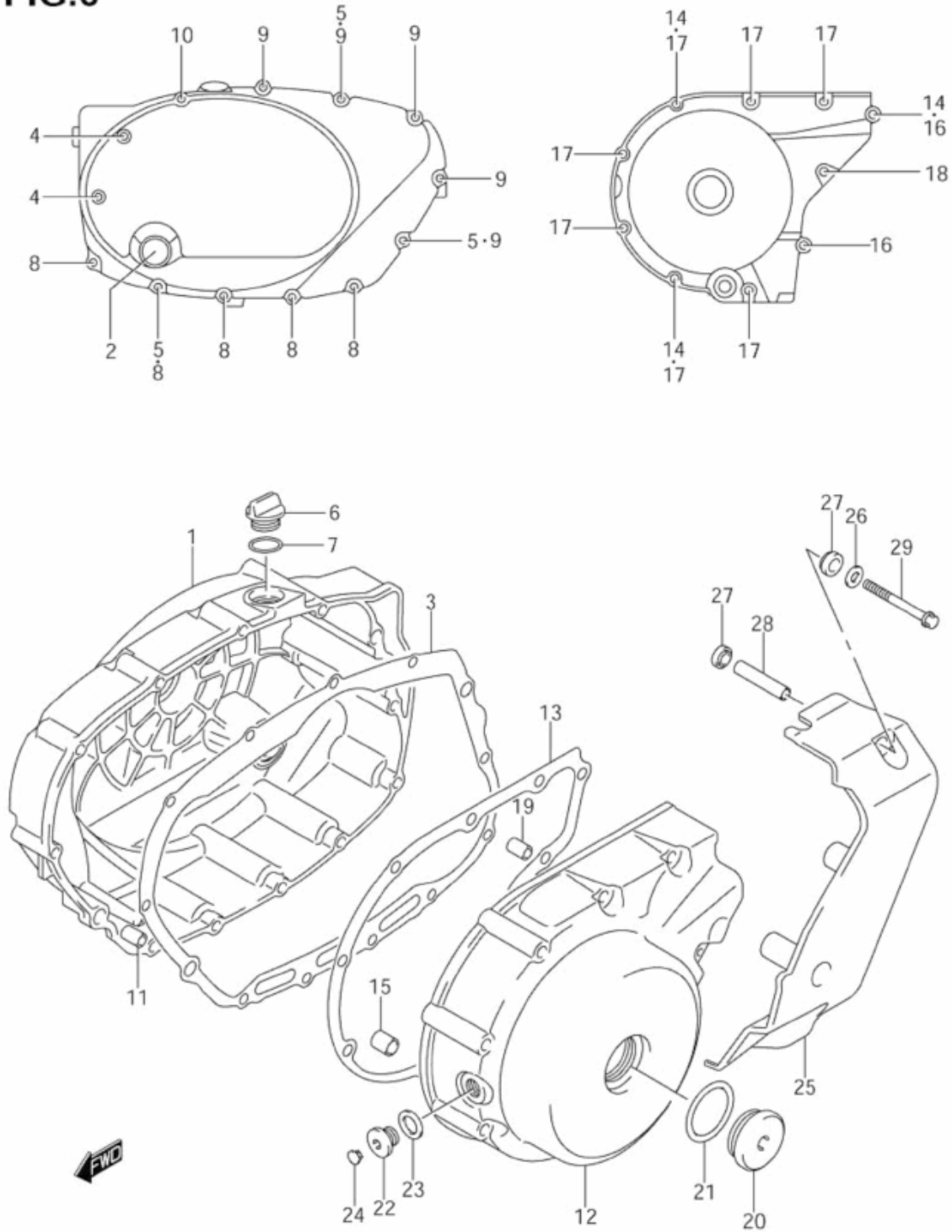
VL800K1 E03 E28_004
CYLINDER

FIG.5



VL800K1 E03 E28_005
CRANKCASE

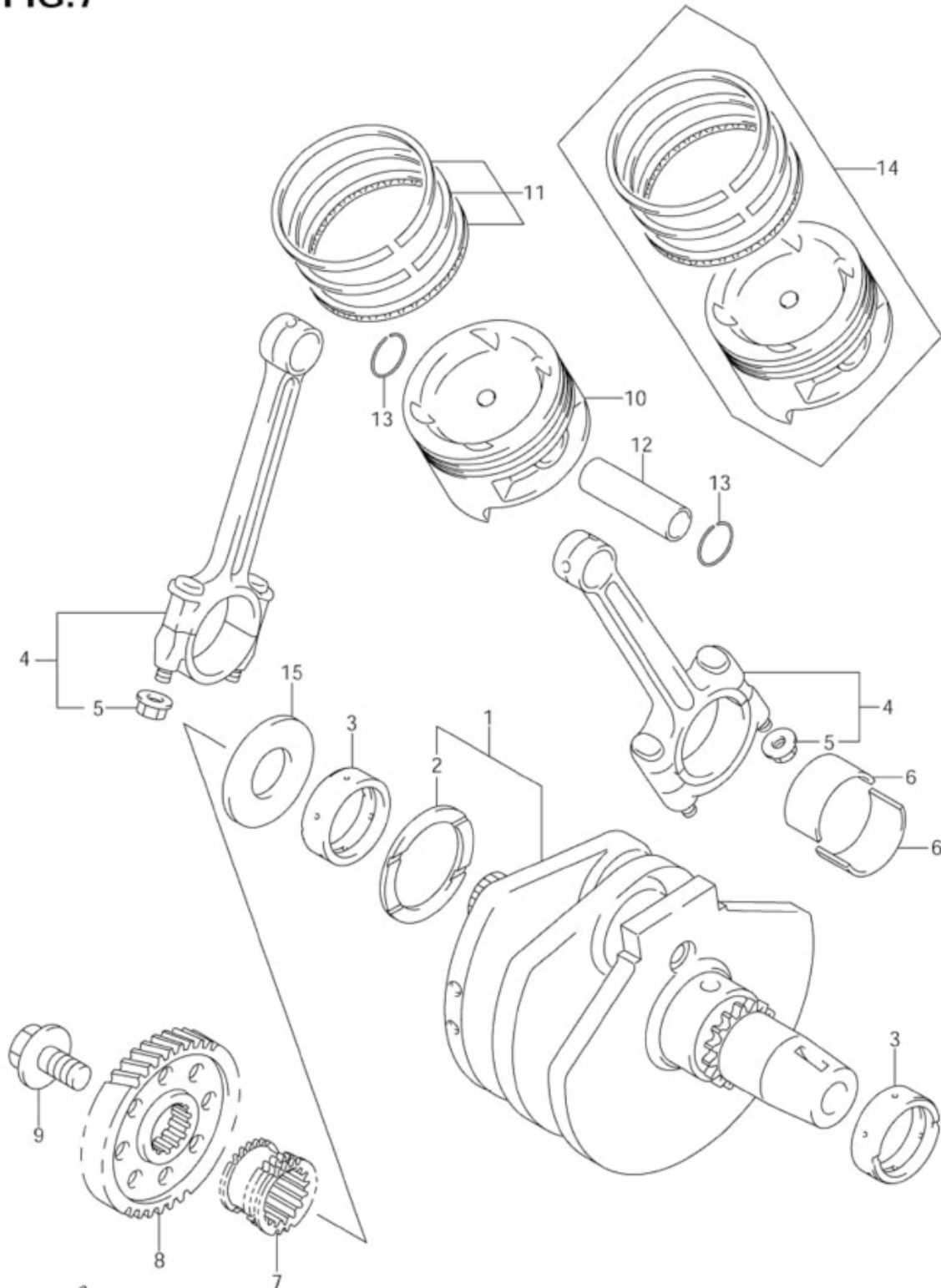
FIG.6



www.Alpha-Sports.com

VL800K1 E03 E28_006
CRANKCASE COVER

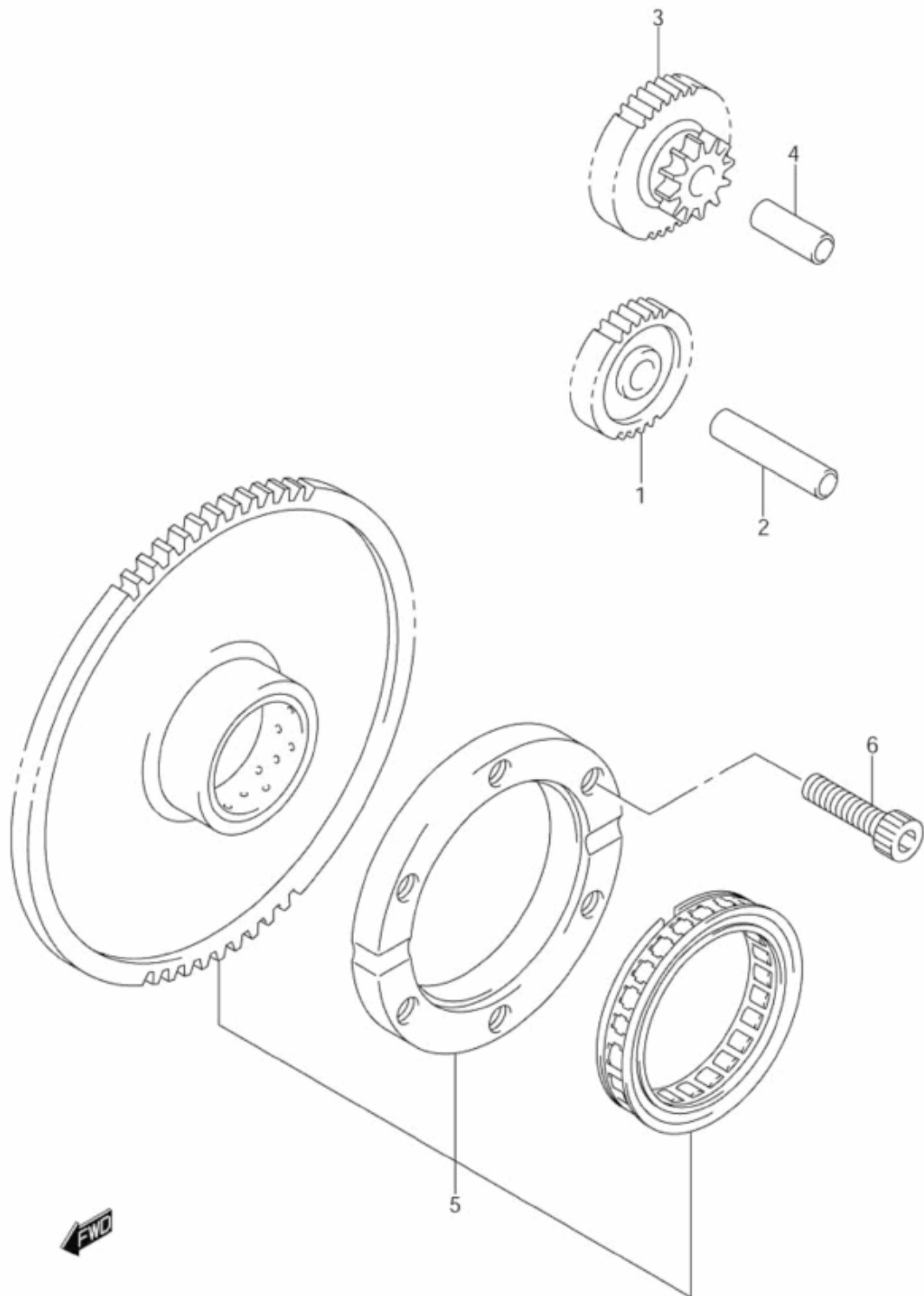
FIG.7



www.Alpha-Sports.com

VL800K1 E03 E28_007
CRANKSHAFT

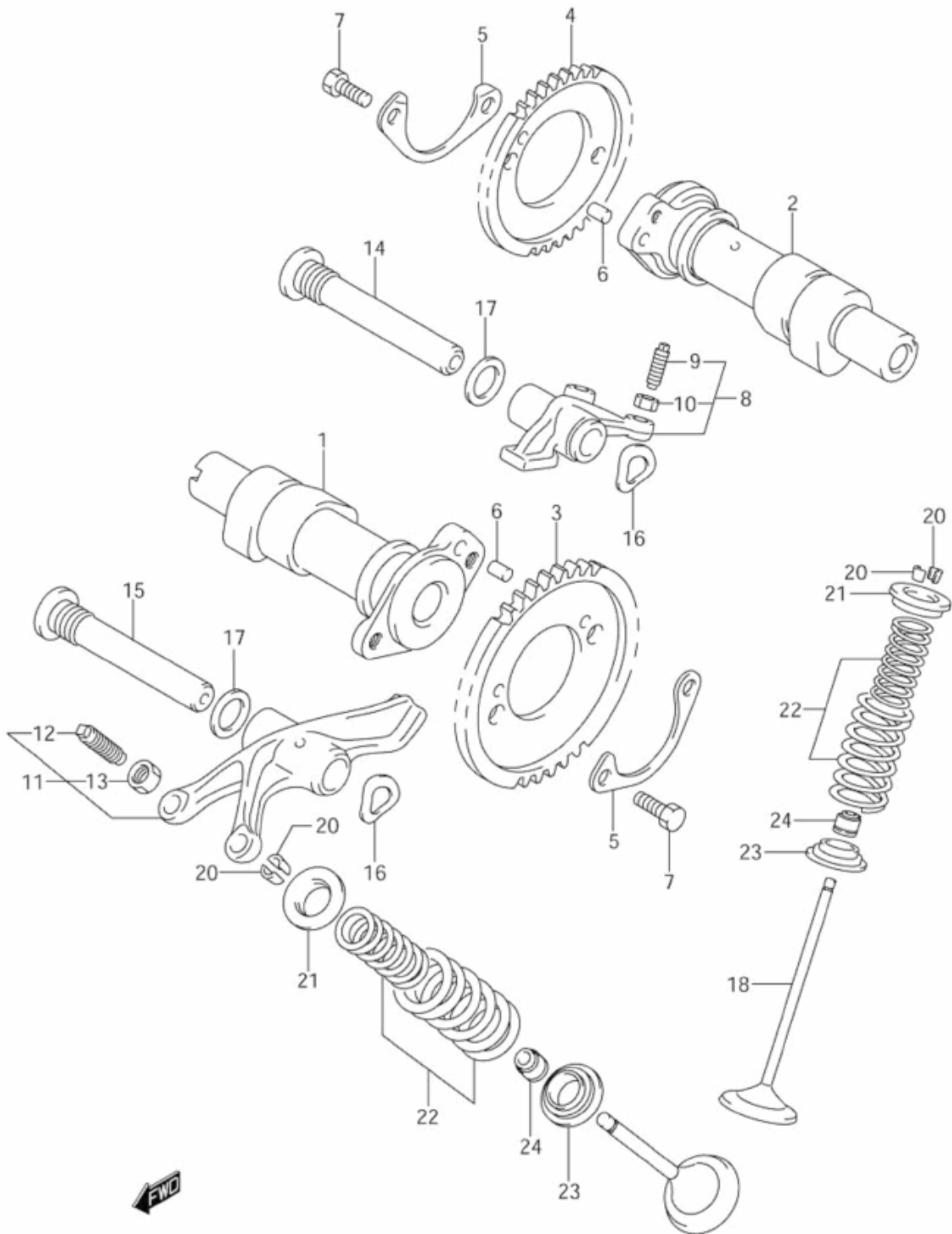
FIG.8



www.Alpha-Sports.com

VL800K1 E03 E28_008
STARTER CLUTCH

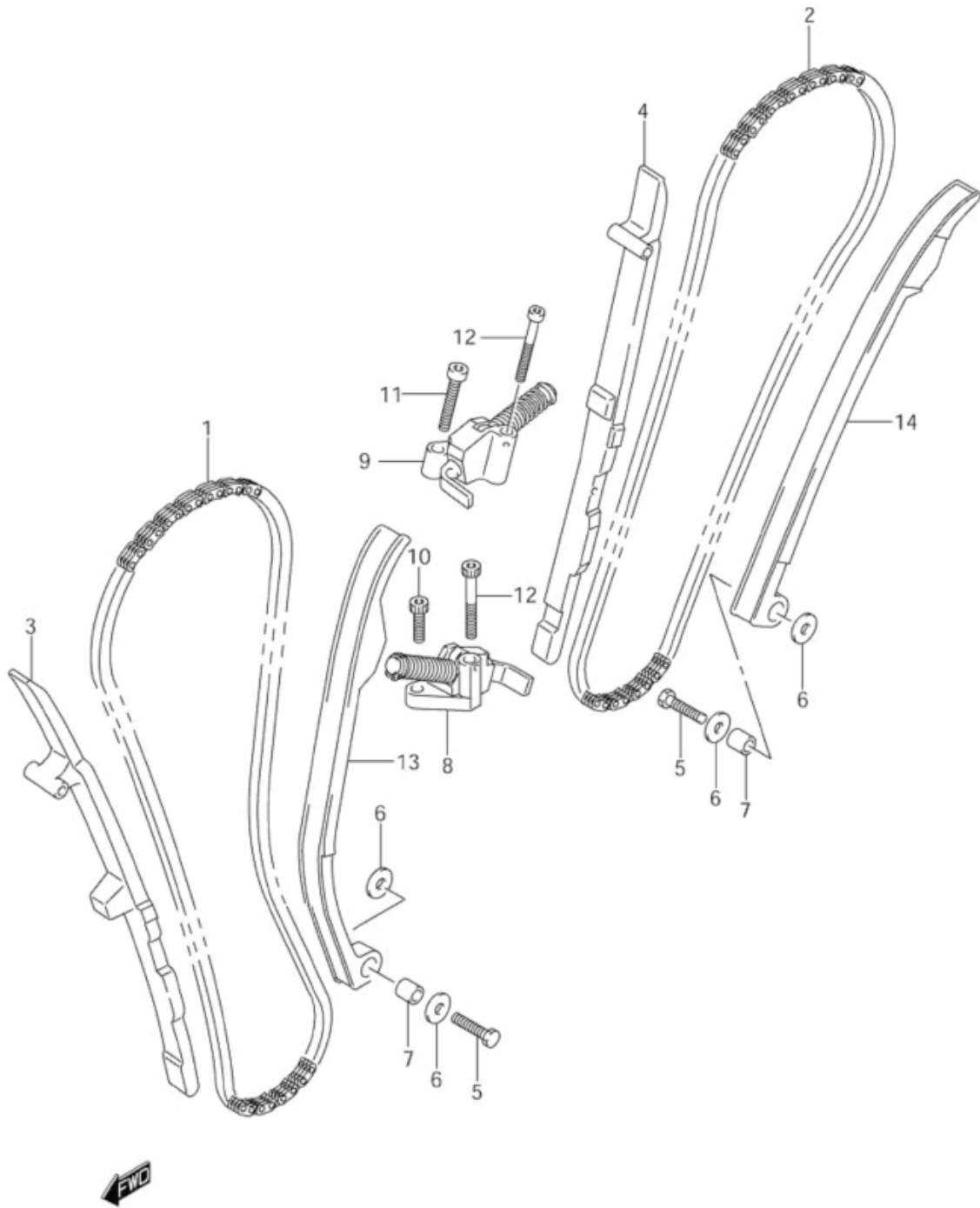
FIG.9



www.Alpha-Sports.com

VL800K1 E03 E28_009
CAM SHAFT/VALVE

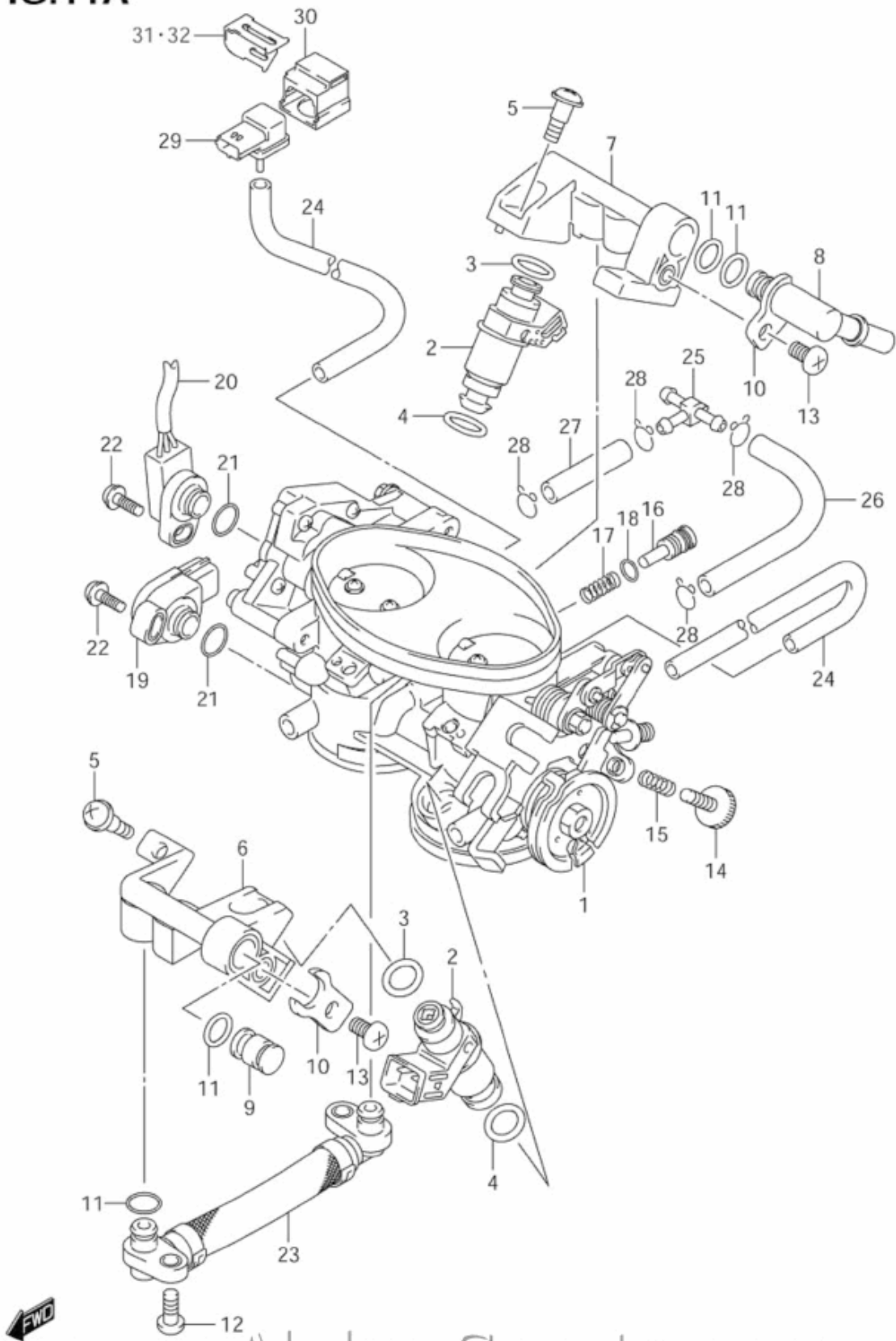
FIG.10



www.Alpha-Sports.com

VL800K1 E03 E28_010
CAM CHAIN

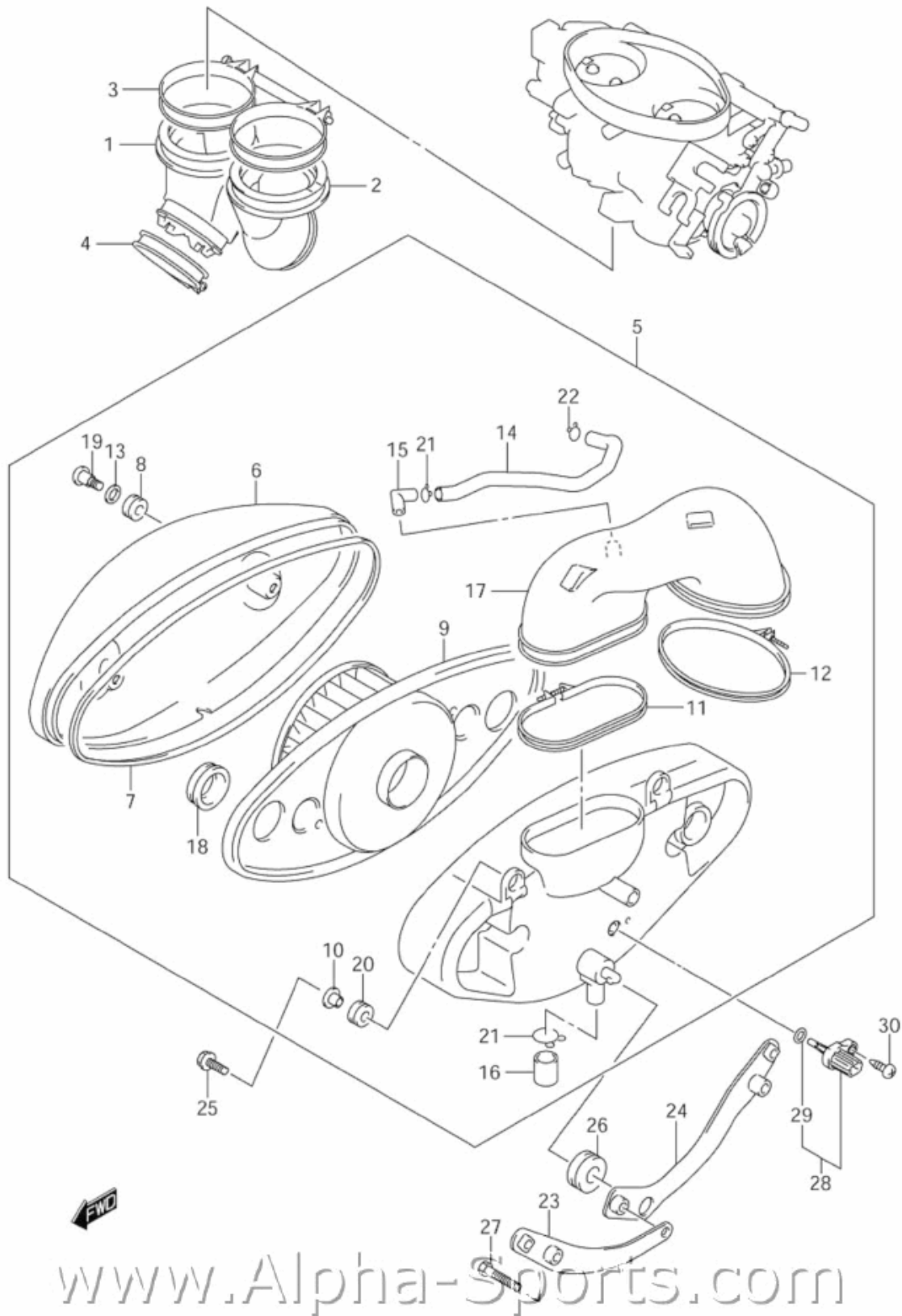
FIG.11A



www.Alpha-Sports.com

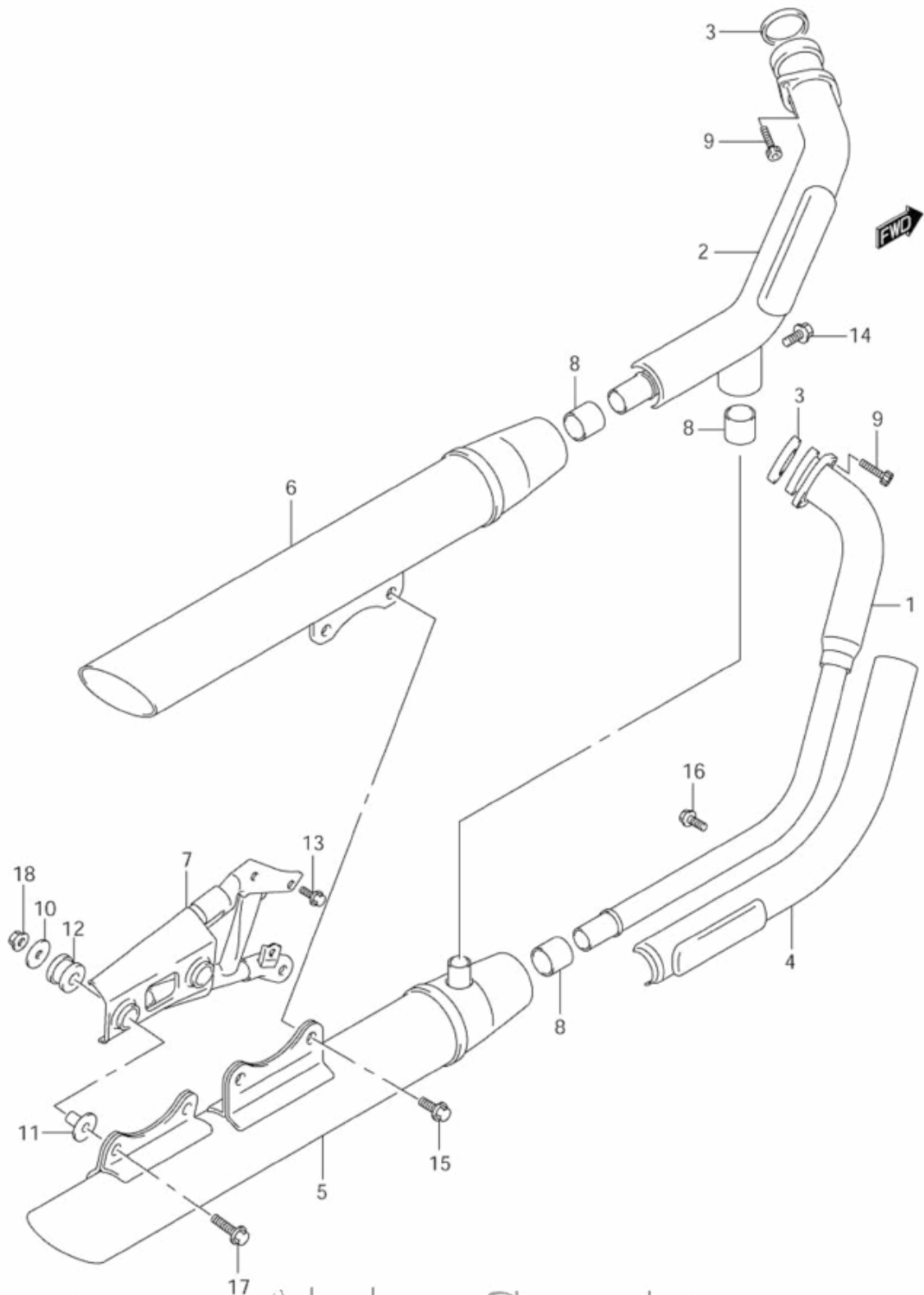
VL800K1 E03 E28_011A
THROTTLE BODY

FIG.12A



VL800K1 E03 E28_012A
AIR CLEANER

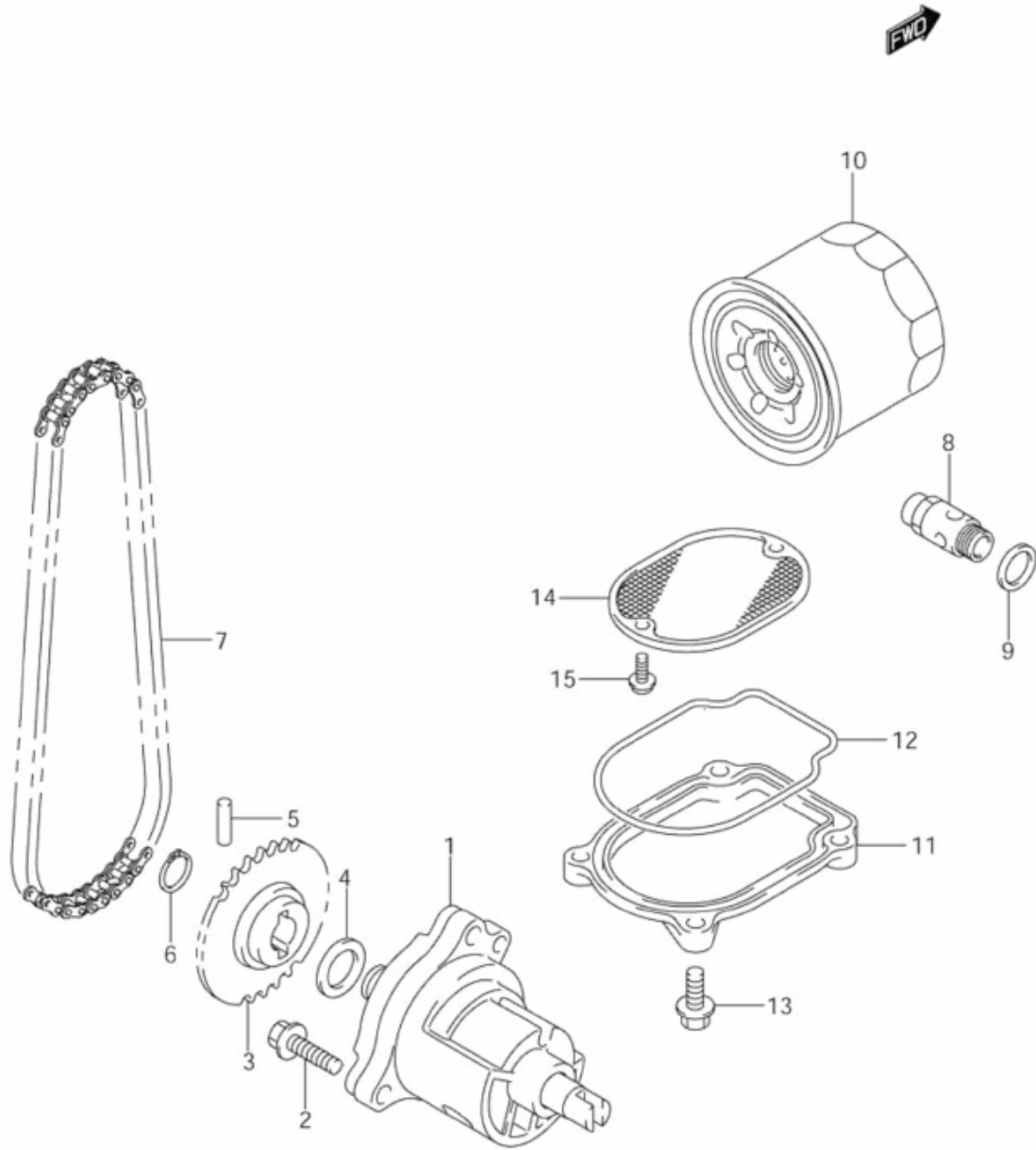
FIG.13



www.Alpha-Sports.com

VL800K1 E03 E28_013
MULLER

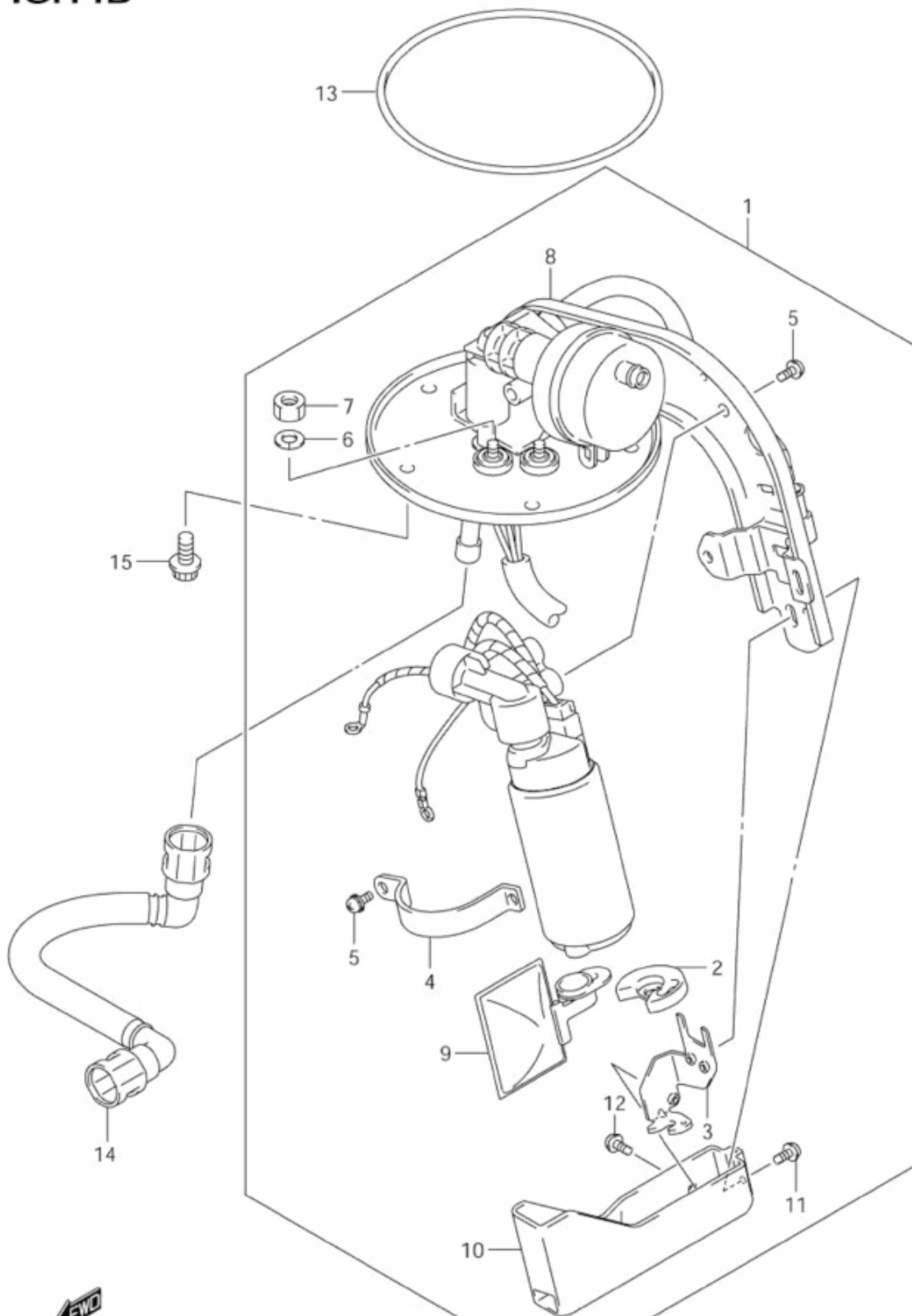
FIG.14A



www.Alpha-Sports.com

VL800K1 E03 E28_014A
OIL PUMP

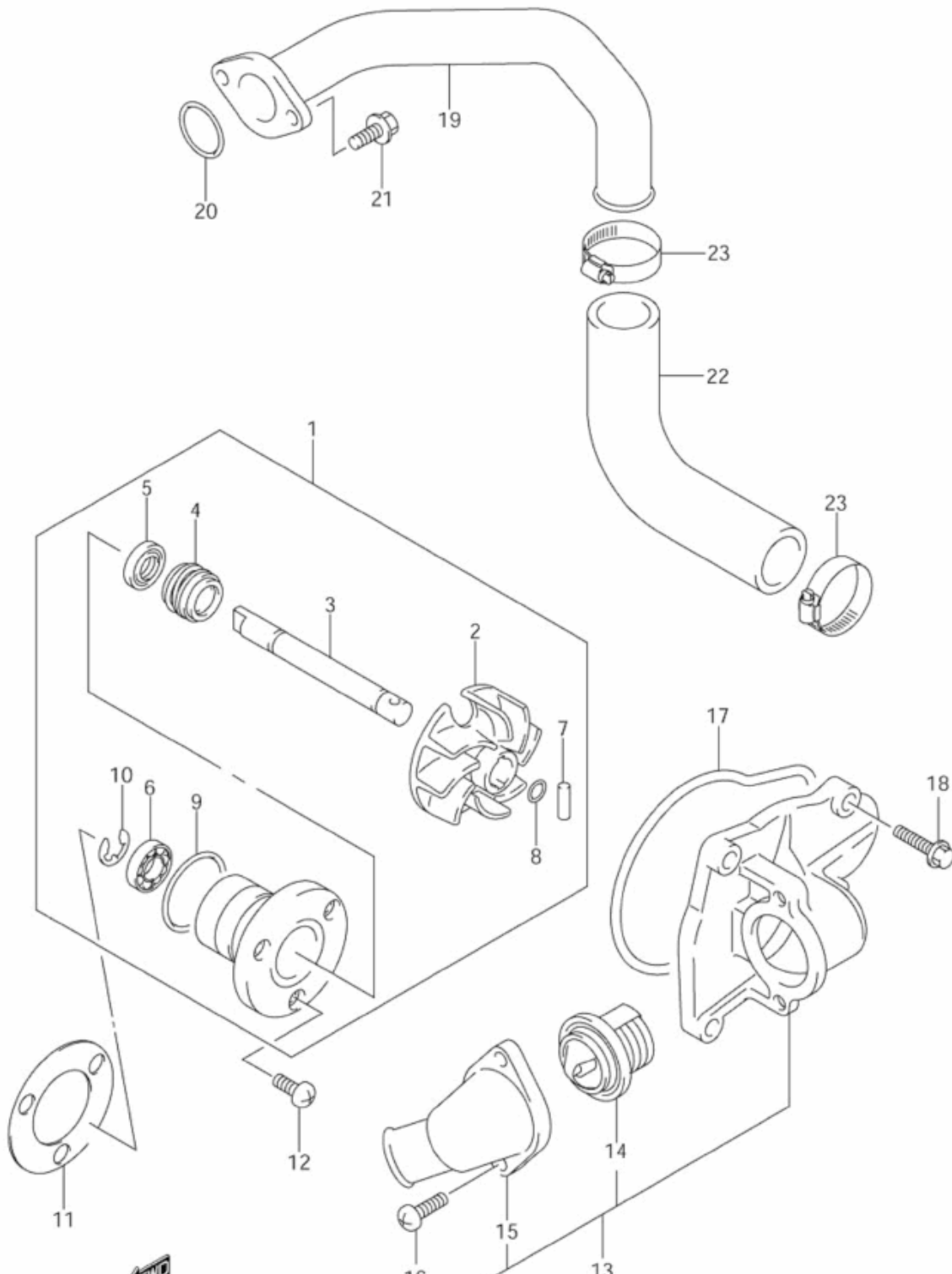
FIG.14B



www.Alpha-Sports.com

VL800K1 E03 E28_014B
FUEL PUMP

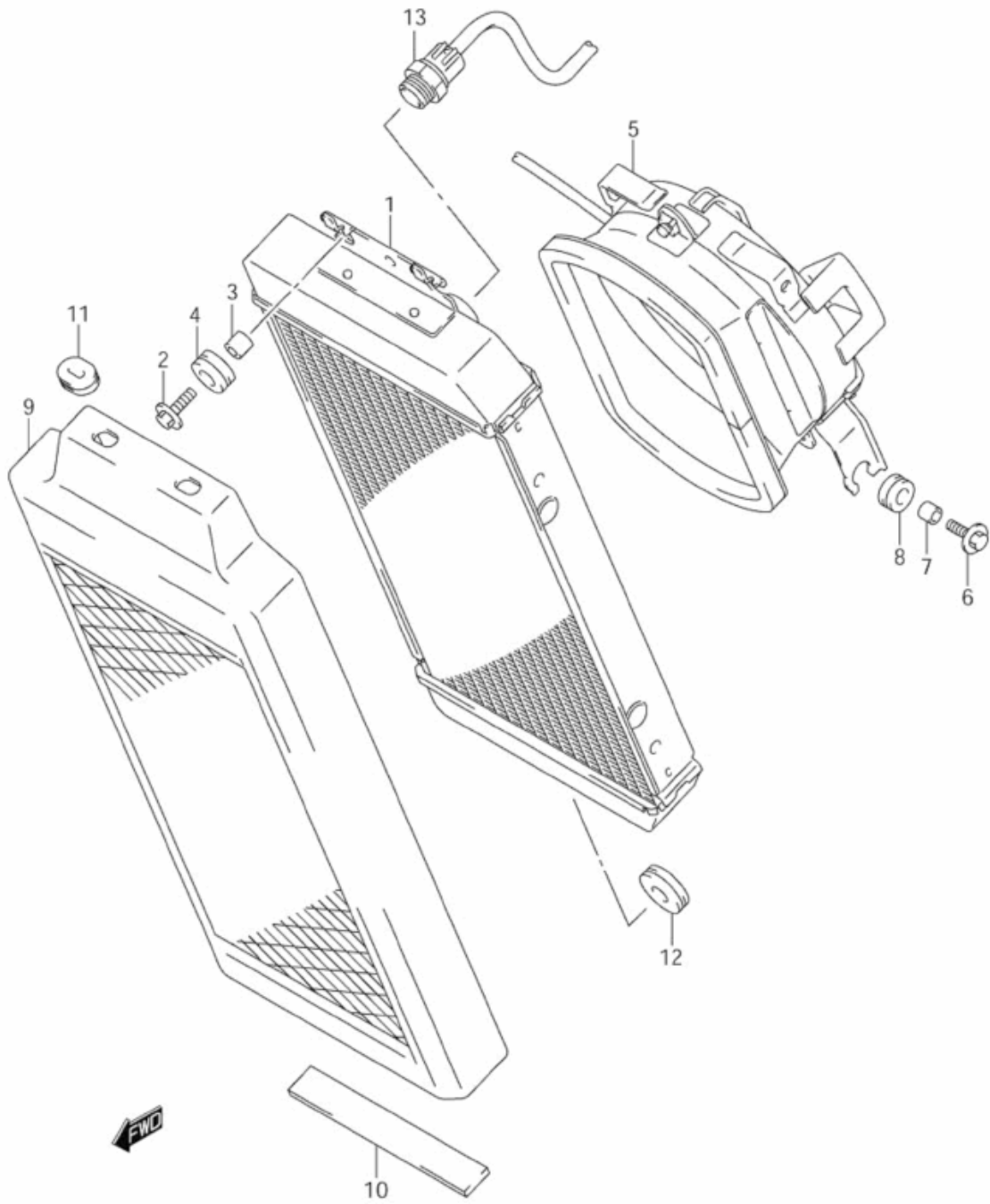
FIG.15



 www.Alpha-Sports.com

VL800K1 E03 E28_015
WATER PUMP

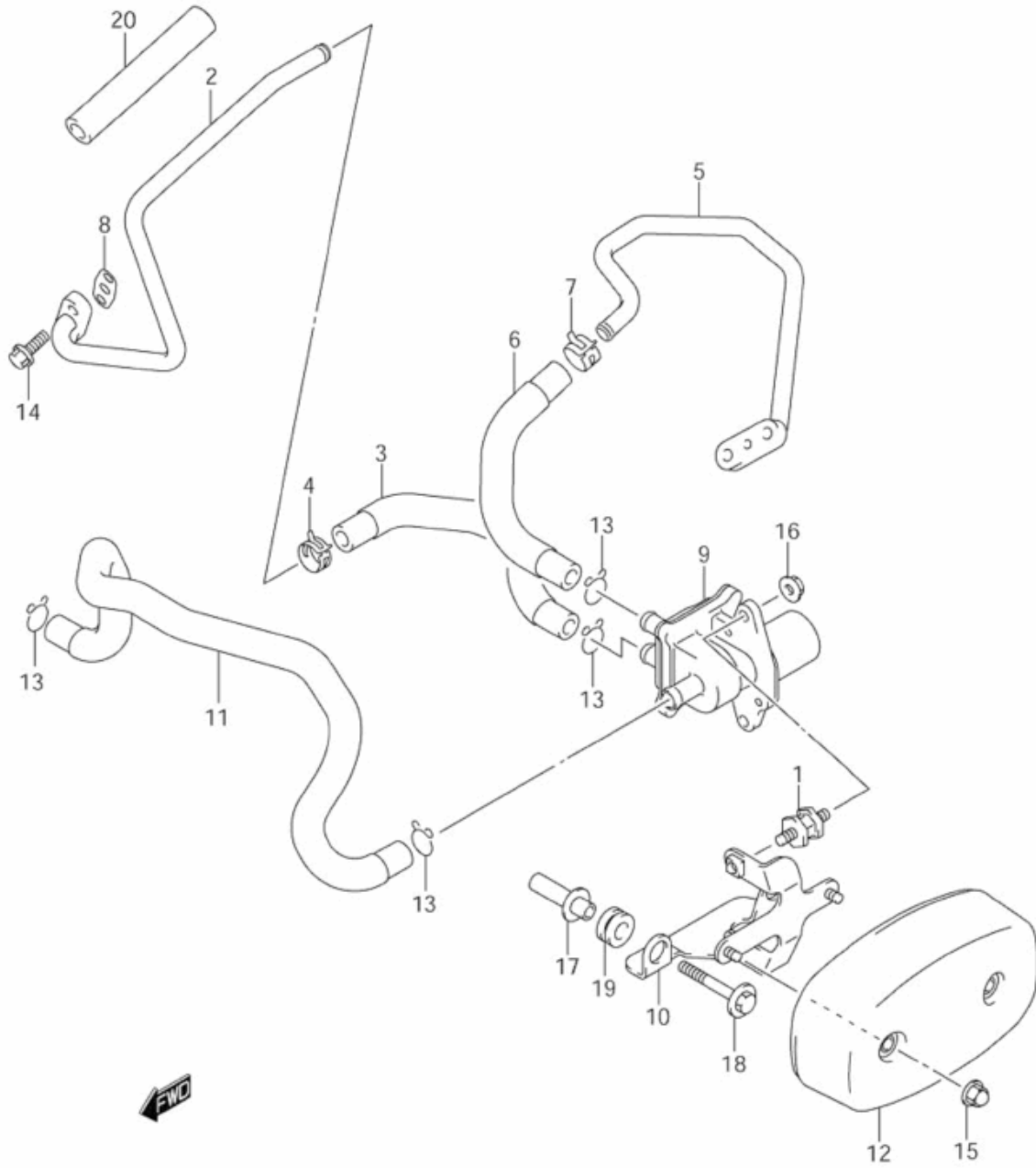
FIG.16



www.Alpha-Sports.com

VL800K1 E03 E28_016
RADIATOR

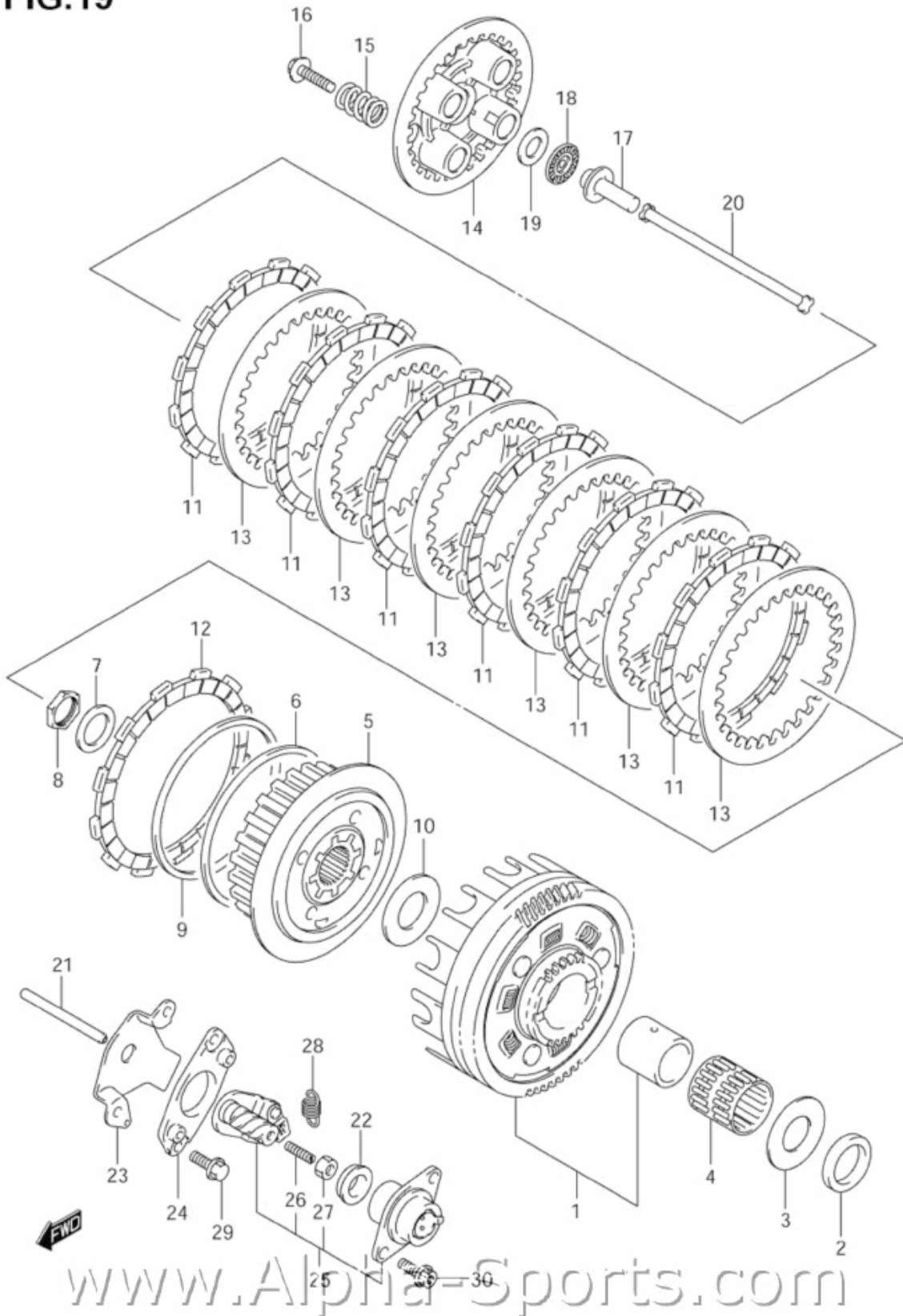
FIG.18A



www.Alpha-Sports.com

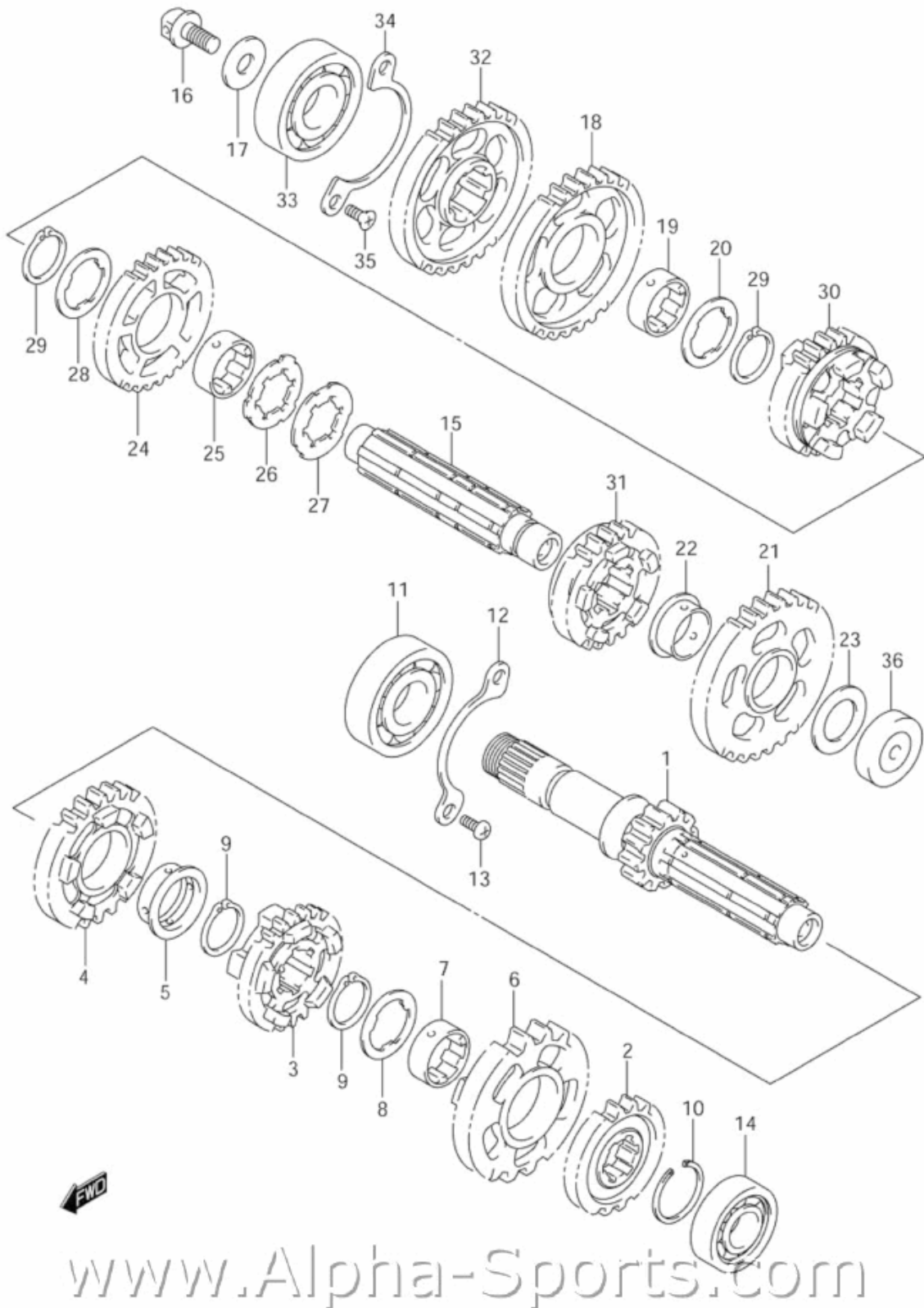
VL800K1 E03 E28_018A
2ND AIR

FIG.19



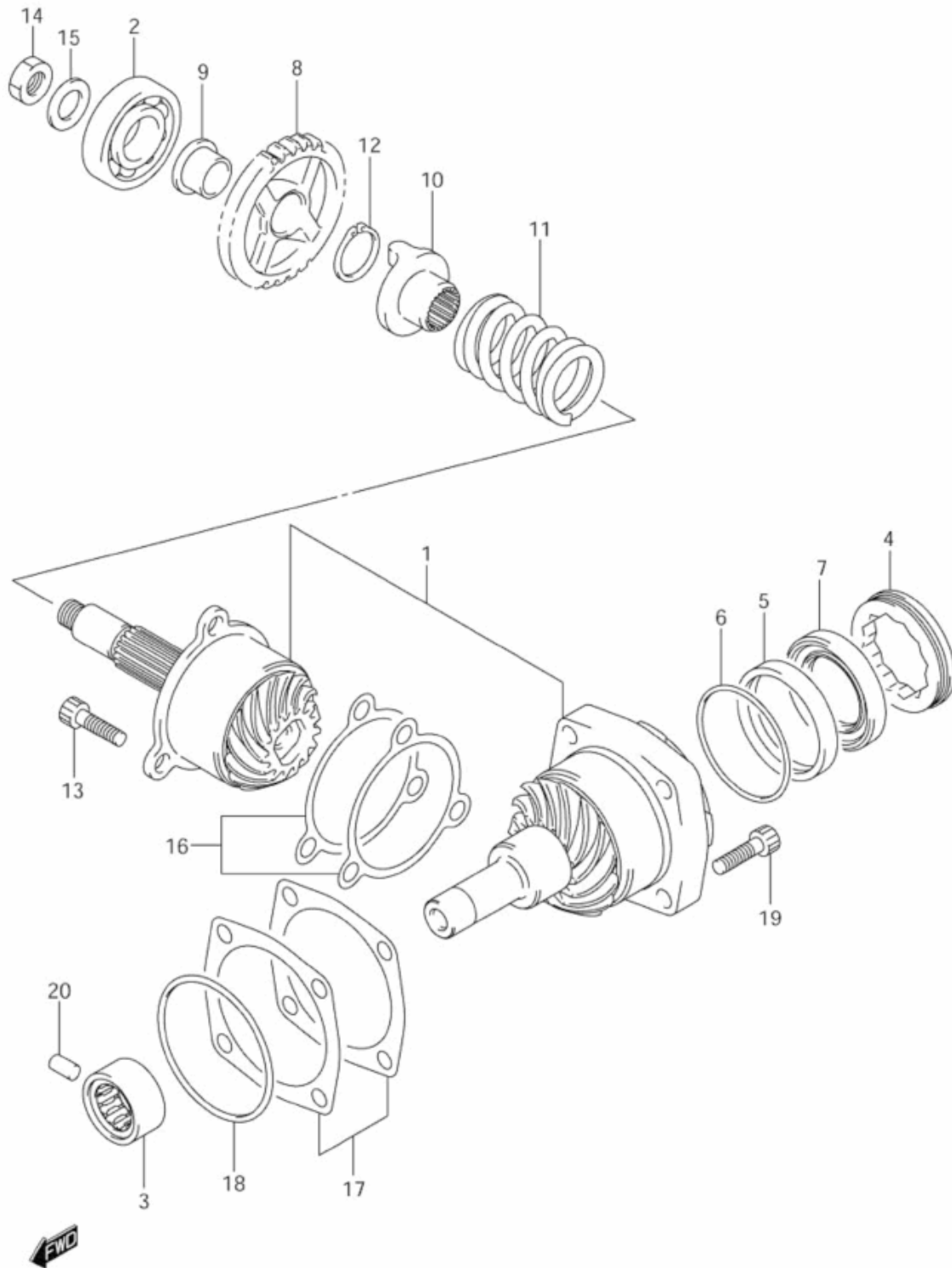
VL800K1 E03 E28_019
CLUTCH

FIG.20A



VL800K1 E03 E28_020A
TRANSMISSION

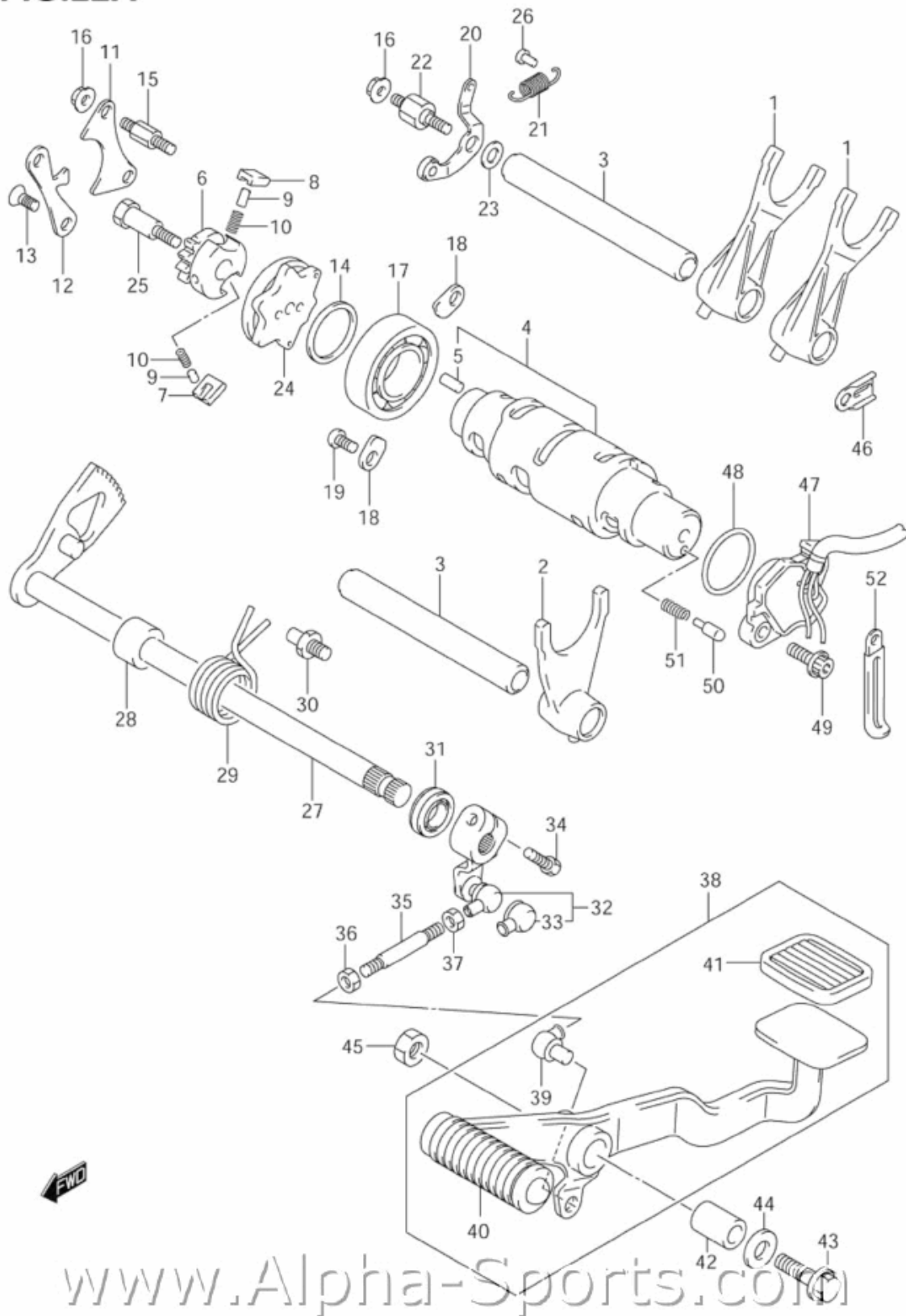
FIG.21



www.Alpha-Sports.com

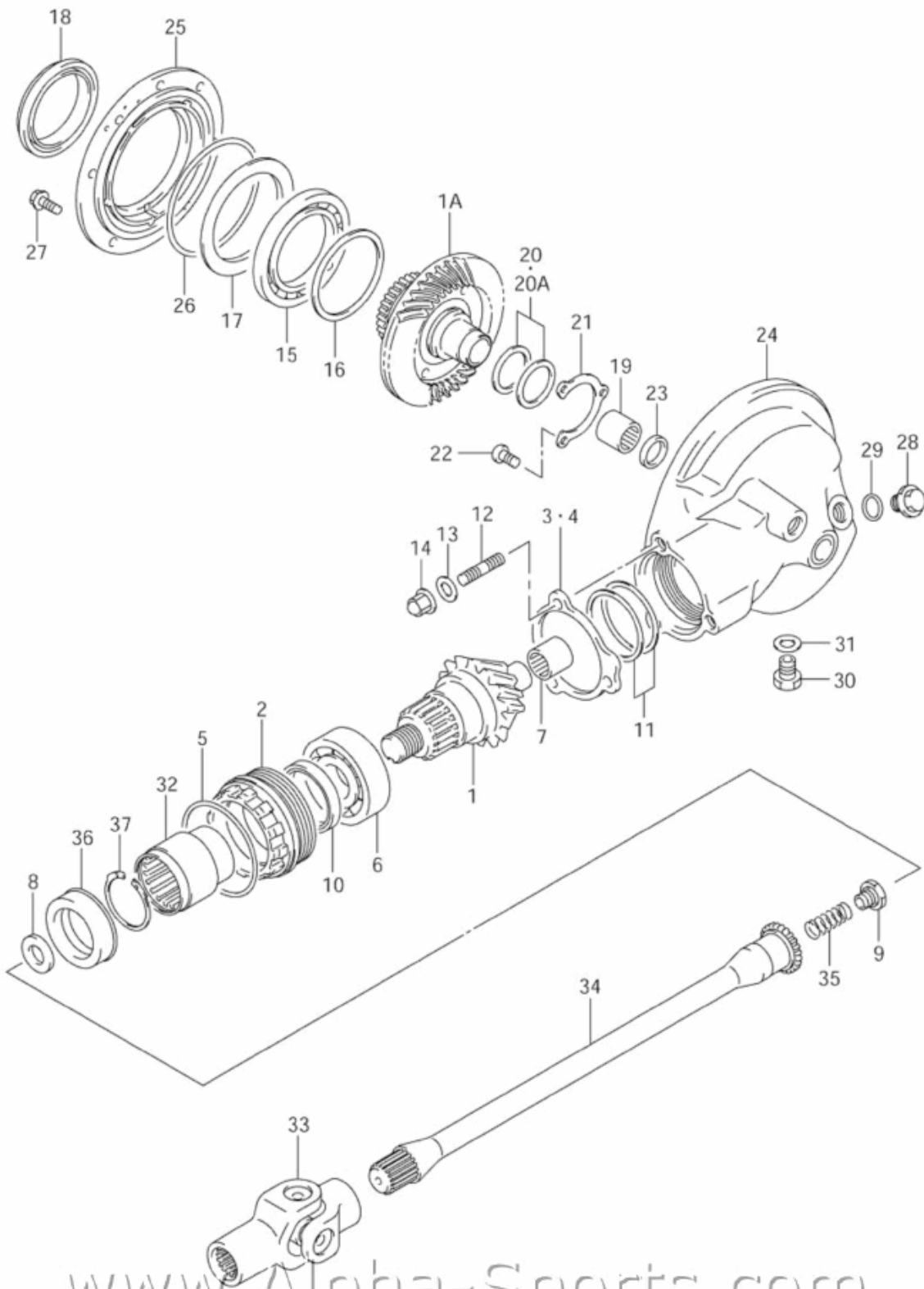
VL800K1 E03 E28_021
SECONDARY DRIVE GEAR

FIG.22A



VL800K1 E03 E28_022A
GEAR SHIFTING

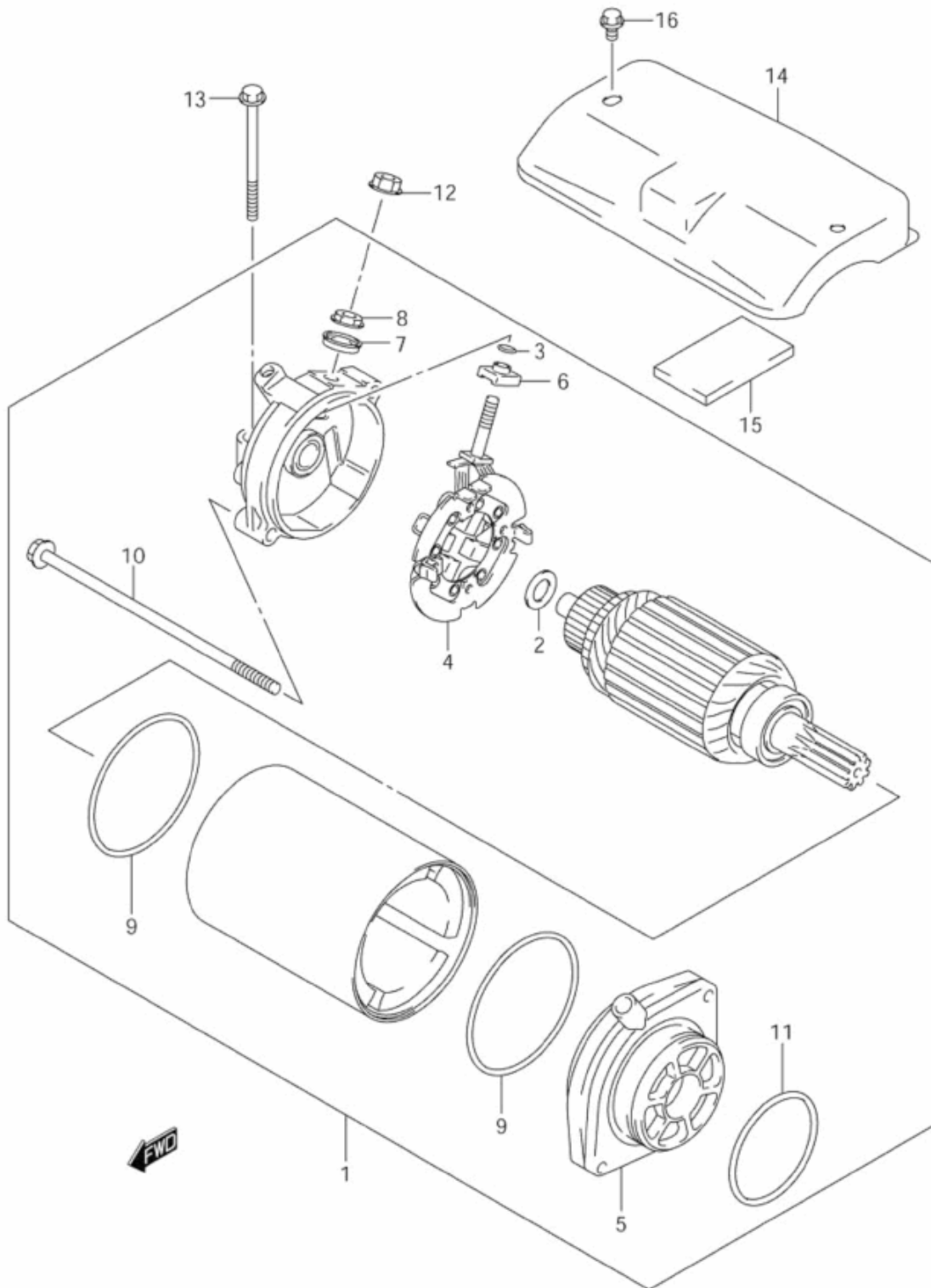
FIG.23



www.Alpha-Sports.com

VL800K1 E03 E28_023
PROPELLER SHAFT/FINAL DRIVE GEAR

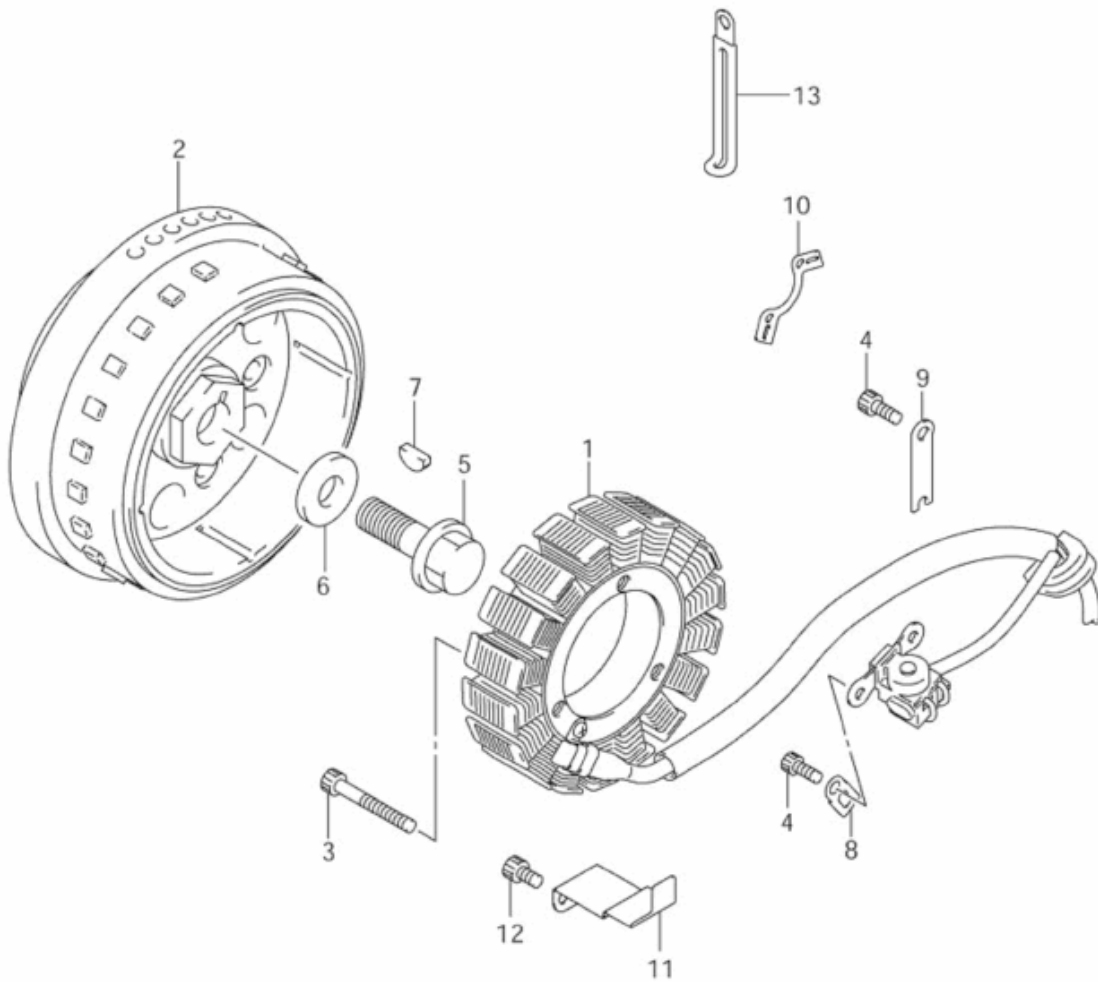
FIG.24



www.Alpha-Sports.com

VL800K1 E03 E28_024
STARTING MOTOR

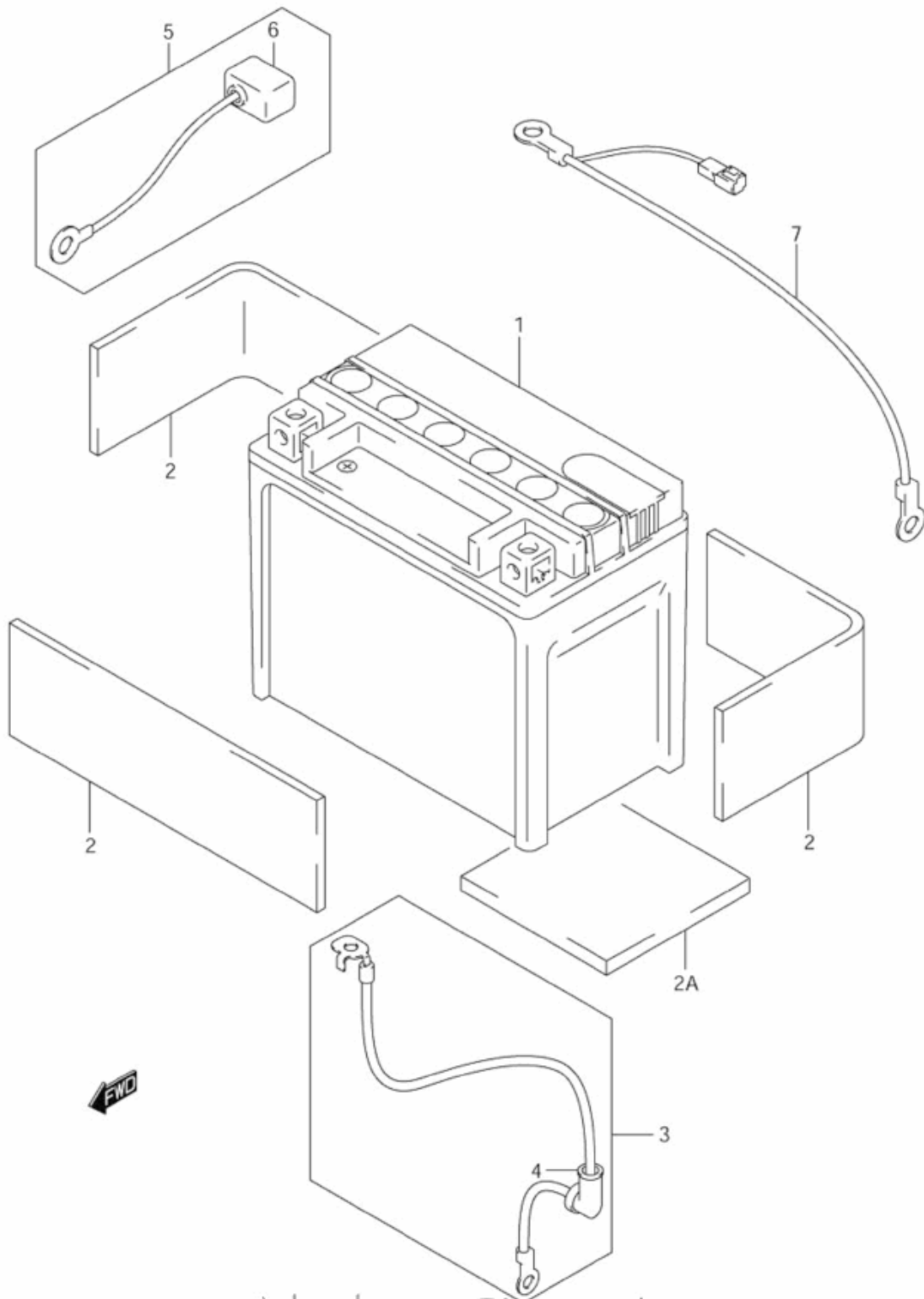
FIG.25A



www.Alpha-Sports.com

VL800K1 E03 E28_025A
MAGNETO

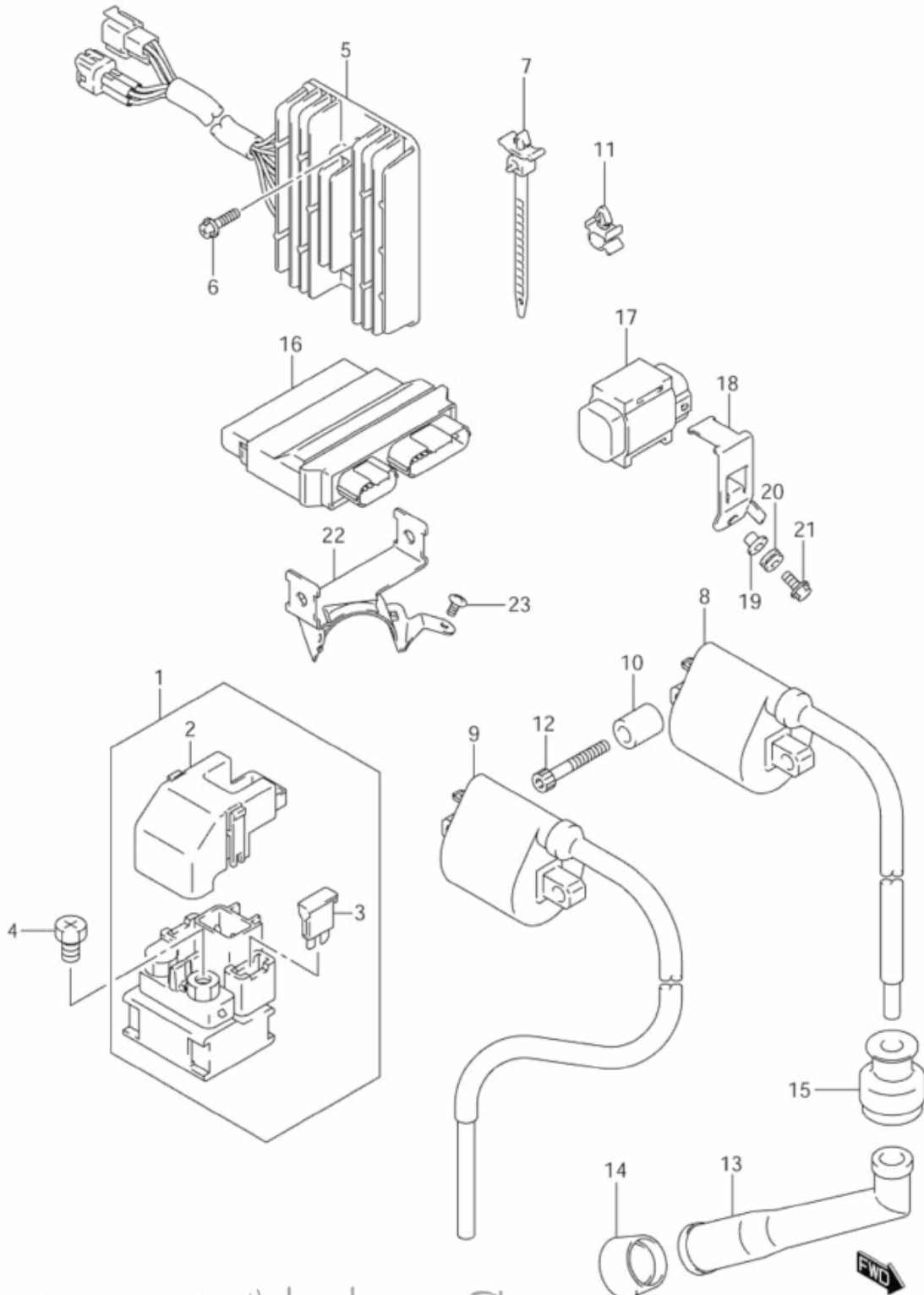
FIG.26



www.Alpha-Sports.com

VL800K1 E03 E28_026
BATTERY

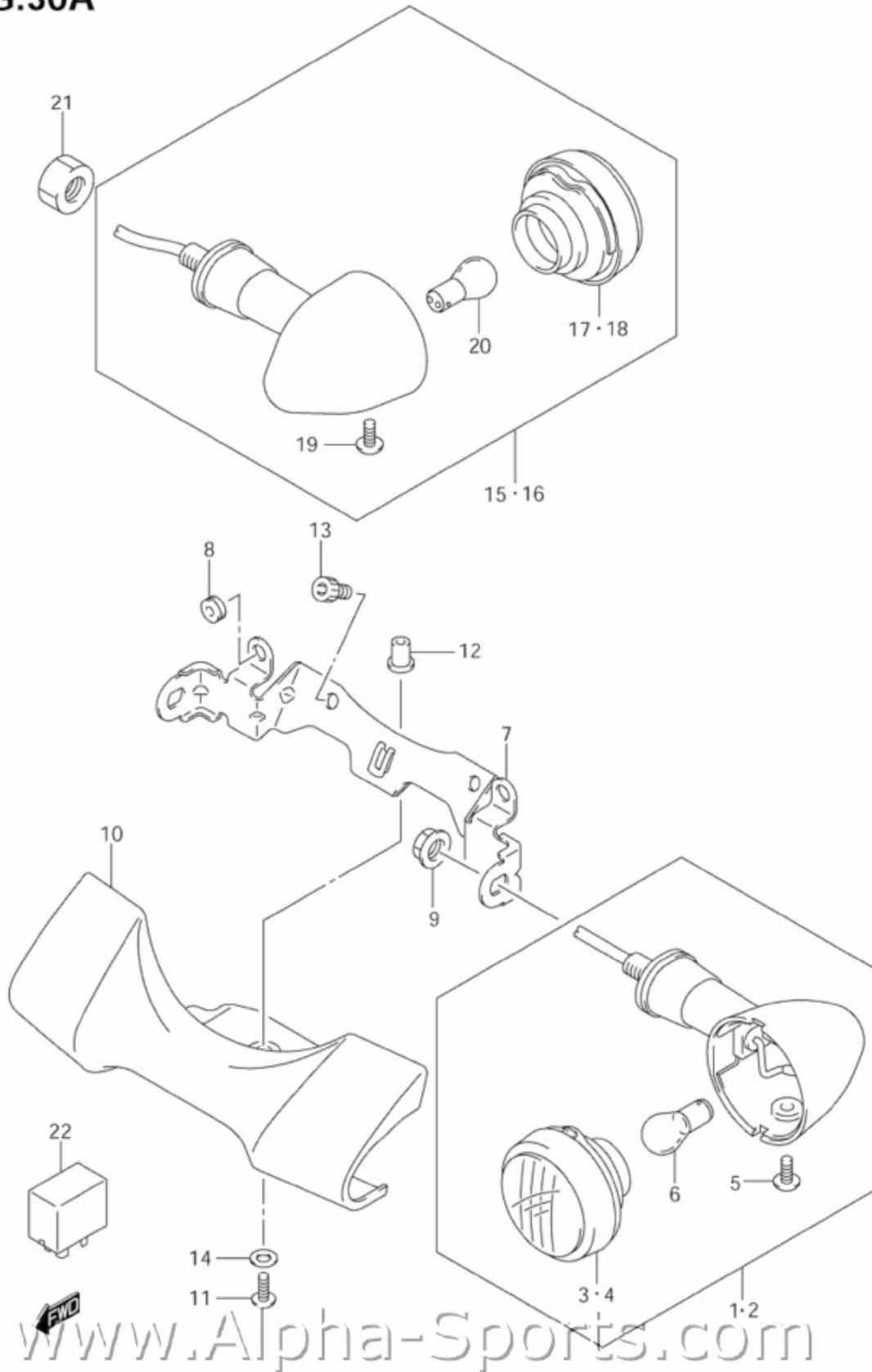
FIG.27A



www.Alpha-Sports.com

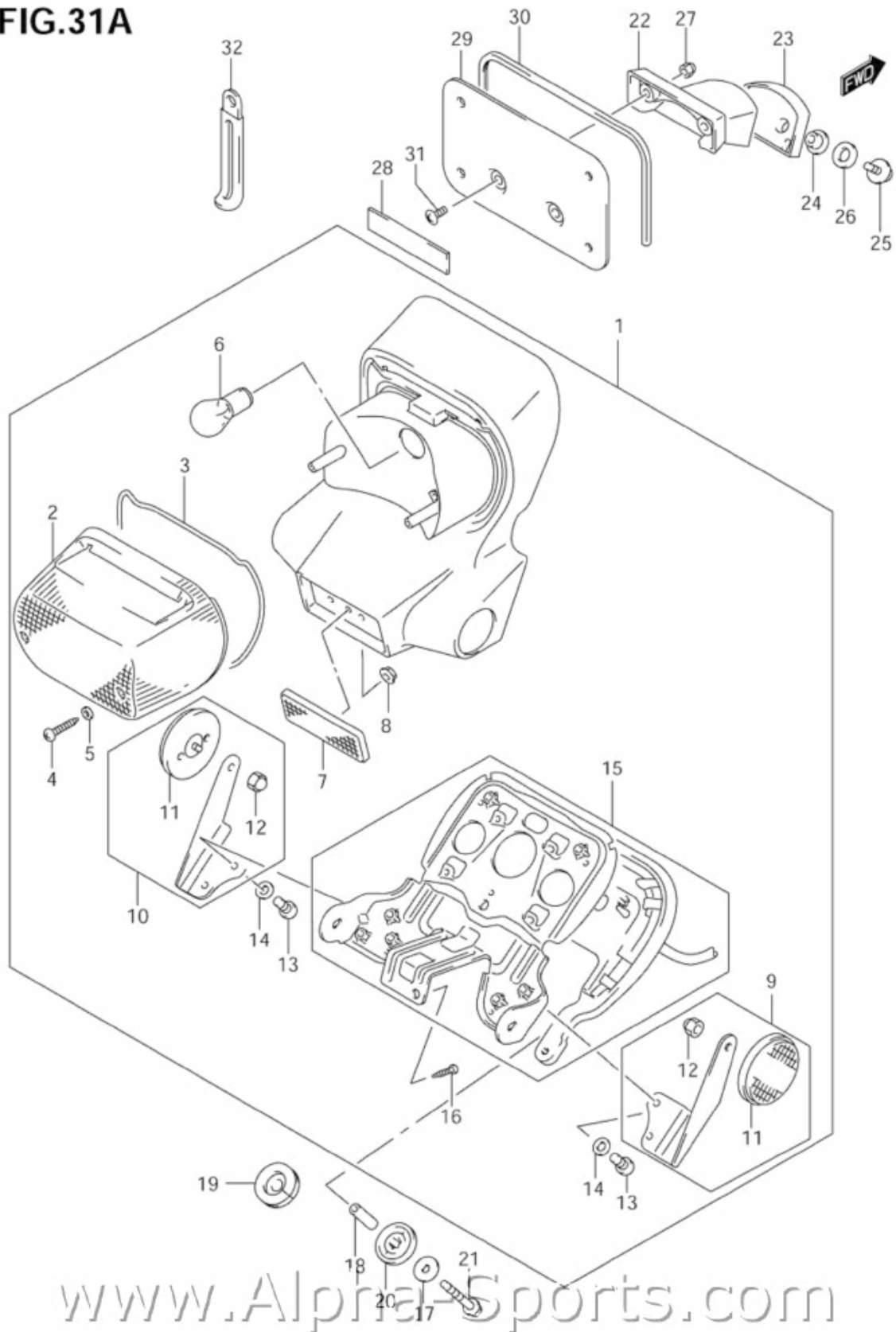
VL800K1 E03 E28_027A
ELECTRICAL

FIG.30A



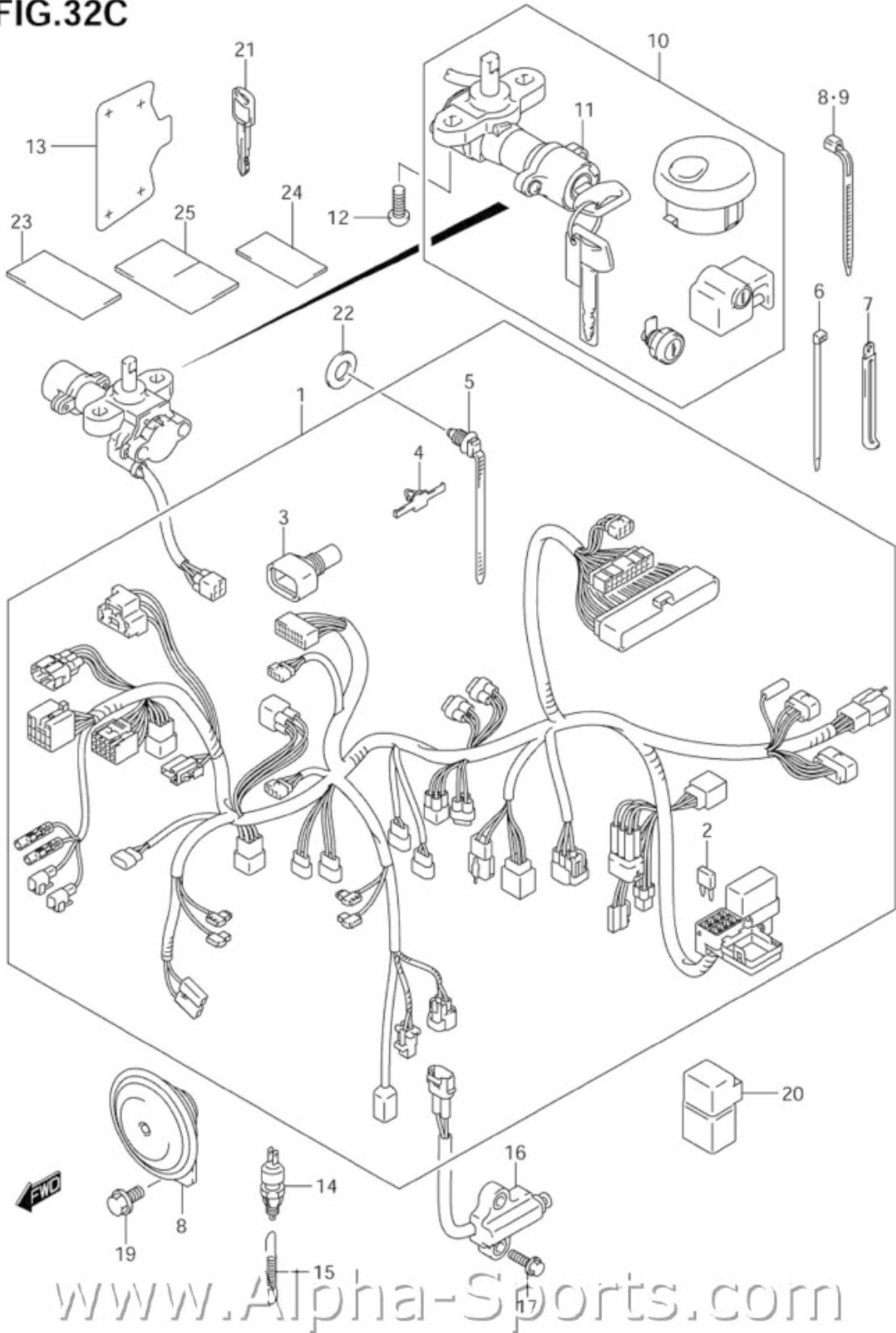
VL800K1 E03 E28_030A
TURNSIGNAL LAMP

FIG.31A



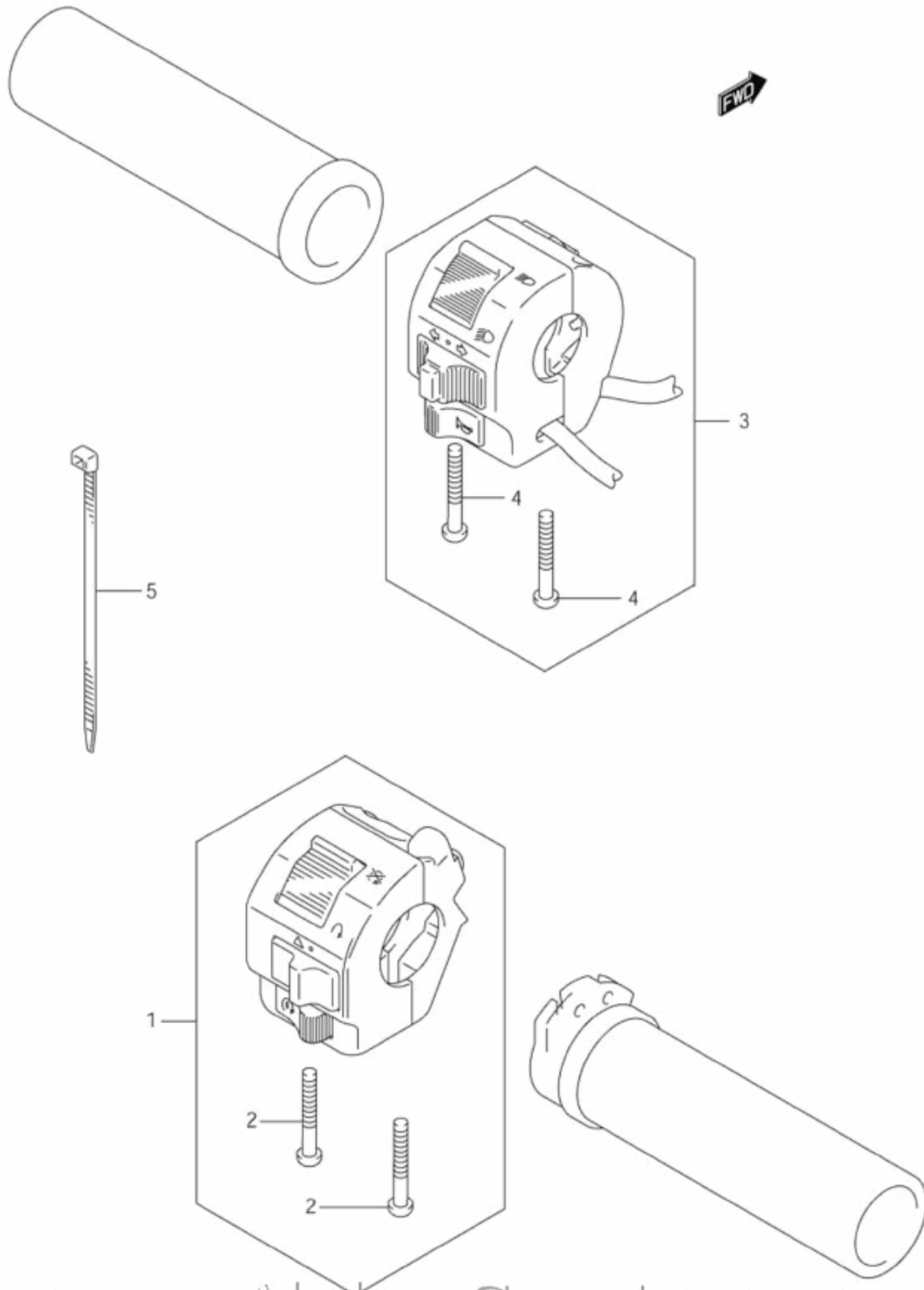
VL800K1 E03 E28_031A
REAR COMBINATION LAMP

FIG.32C



VL800K1 E03 E28_032C
WIRING HARNESS

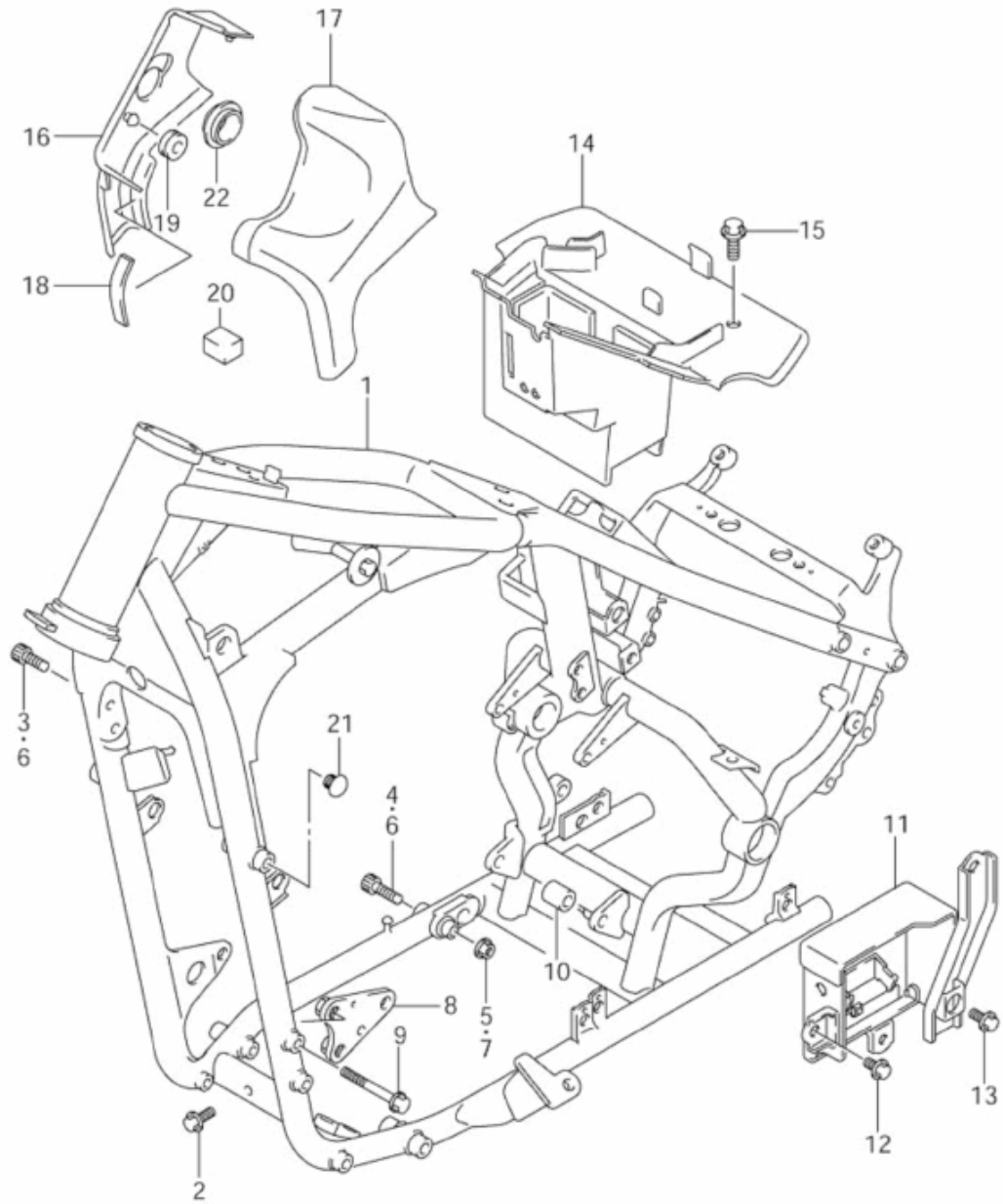
FIG.33B



www.Alpha-Sports.com

VL800K1 E03 E28_033B
HANDLE SWITCH

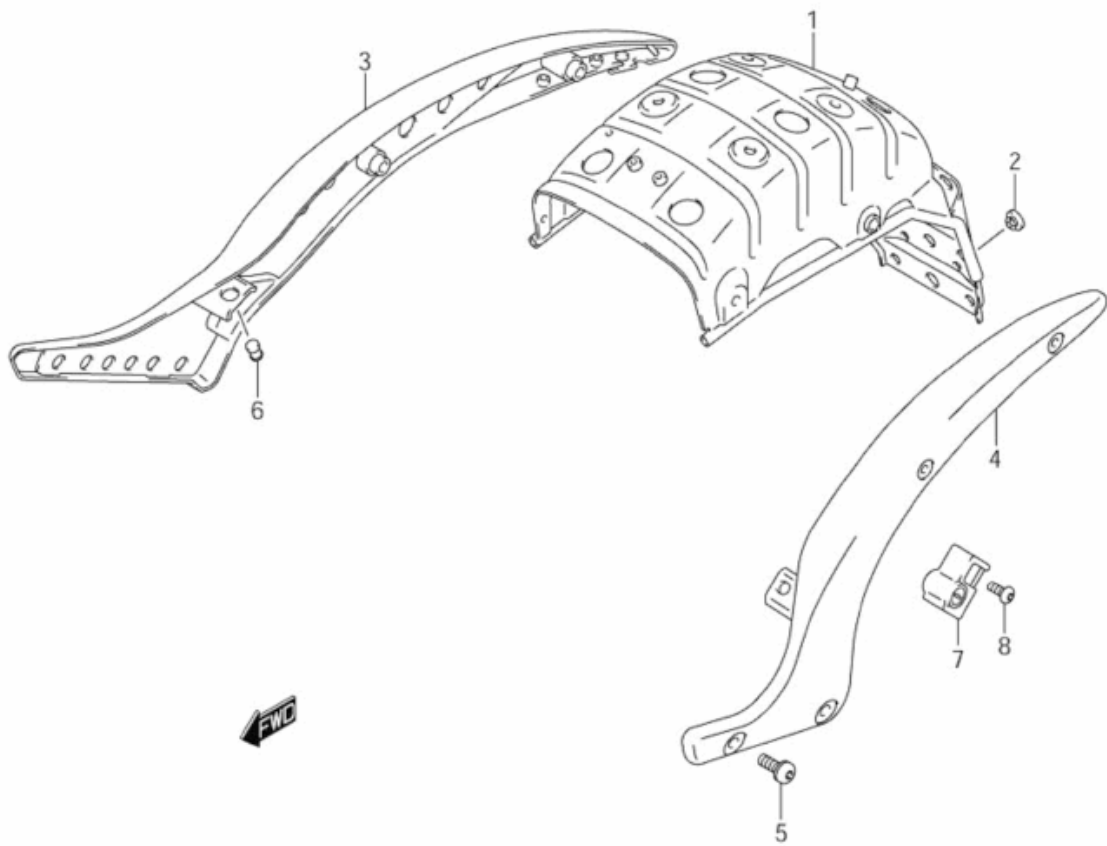
FIG.34



www.Alpha-Sports.com

VL800K1 E03 E28_034
FRAME

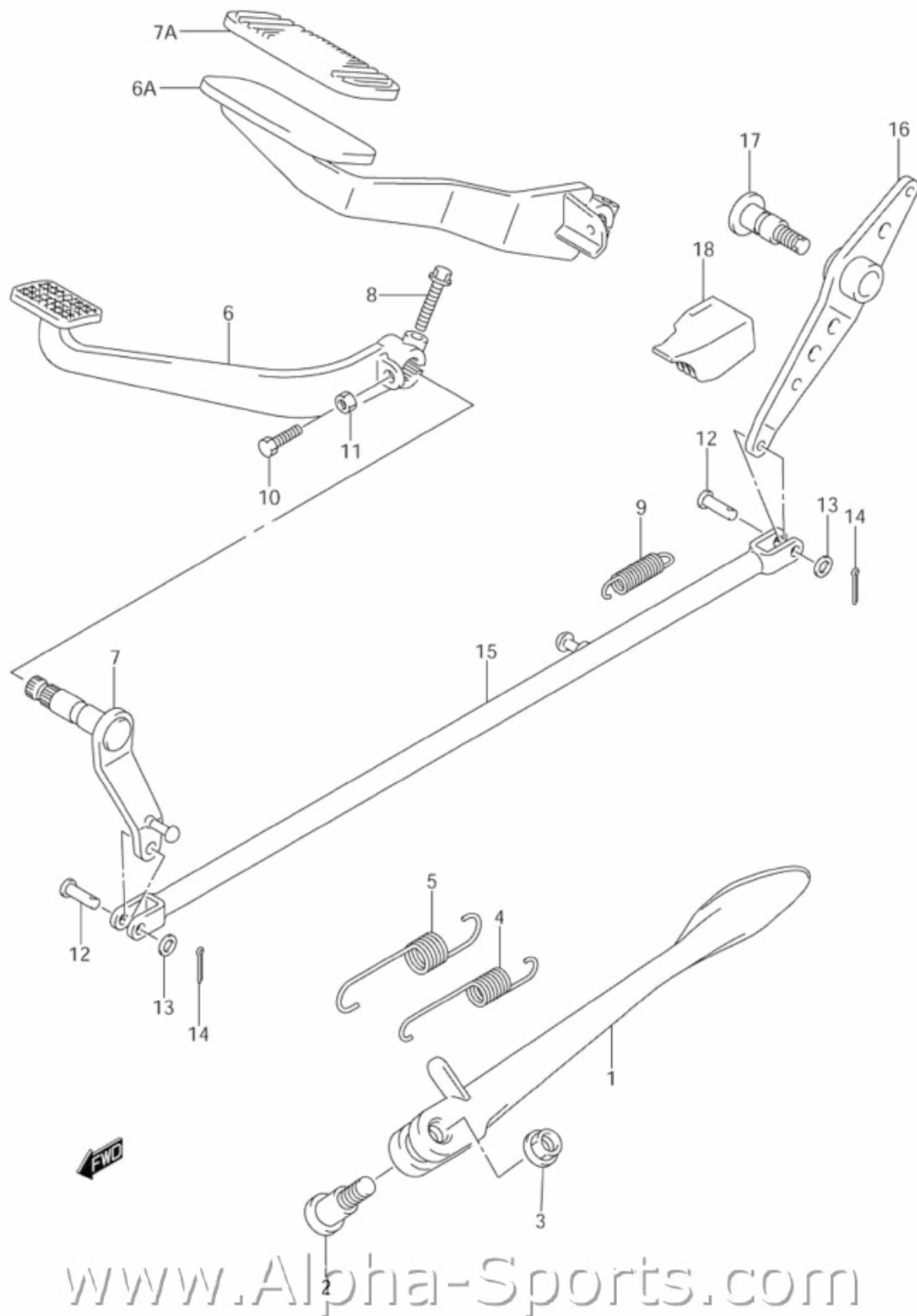
FIG.35



www.Alpha-Sports.com

VL800K1 E03 E28_035
FRAME BRACE

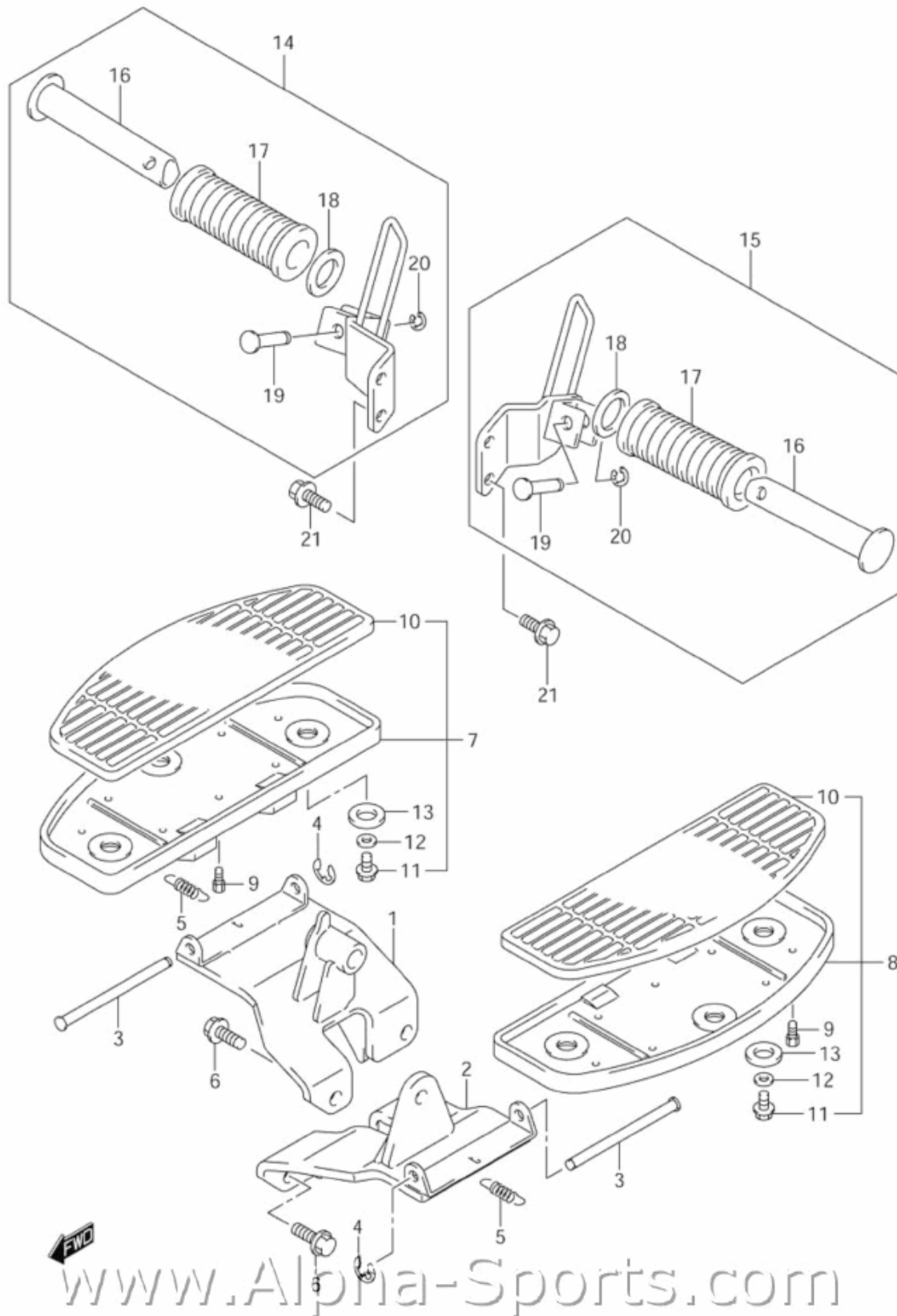
FIG.36



VL800K1 E03 E28_036
STAND

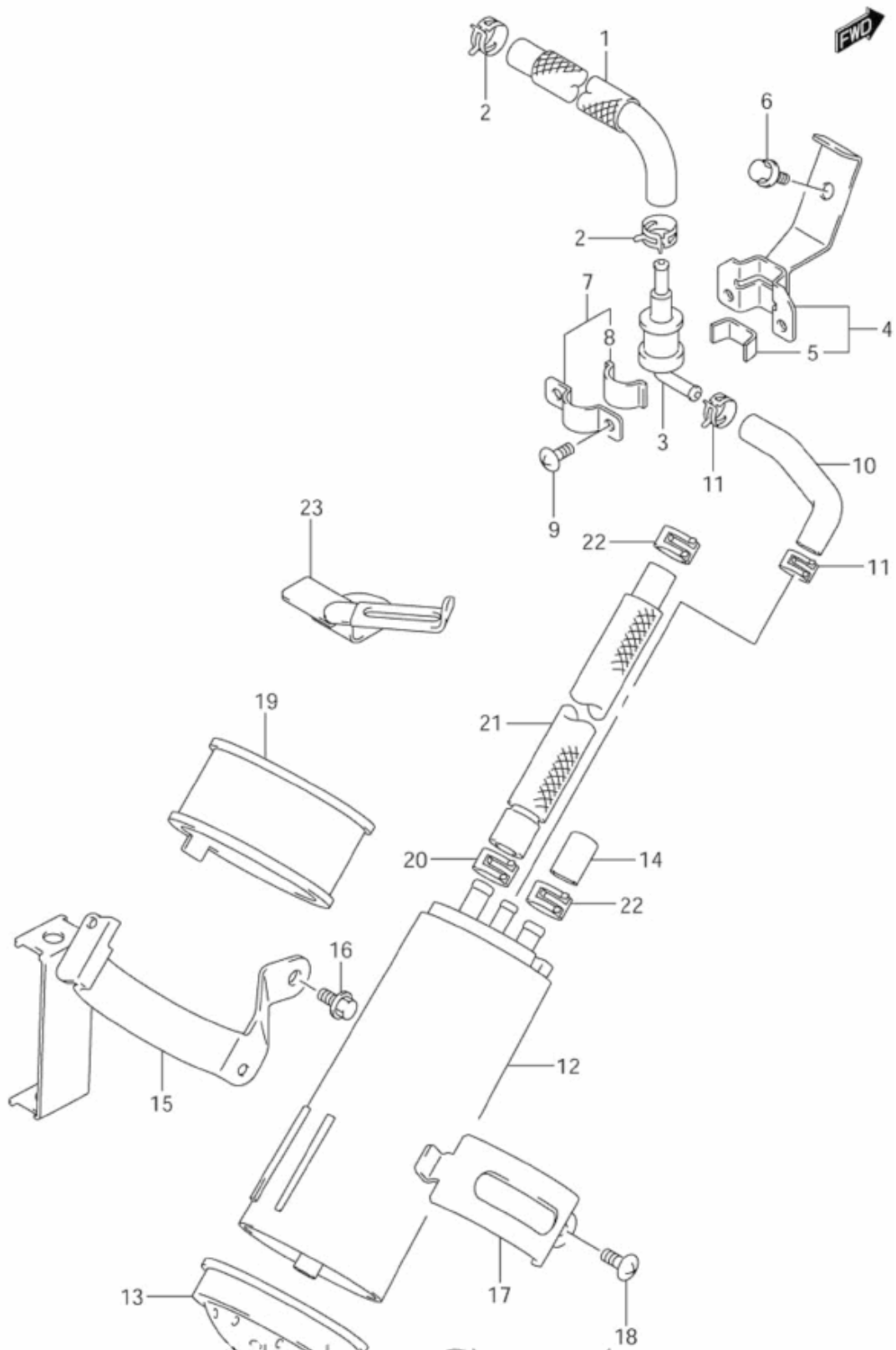
www.Alpha-Sports.com

FIG.37A



VL800K1 E03 E28_037A
FOOTREST

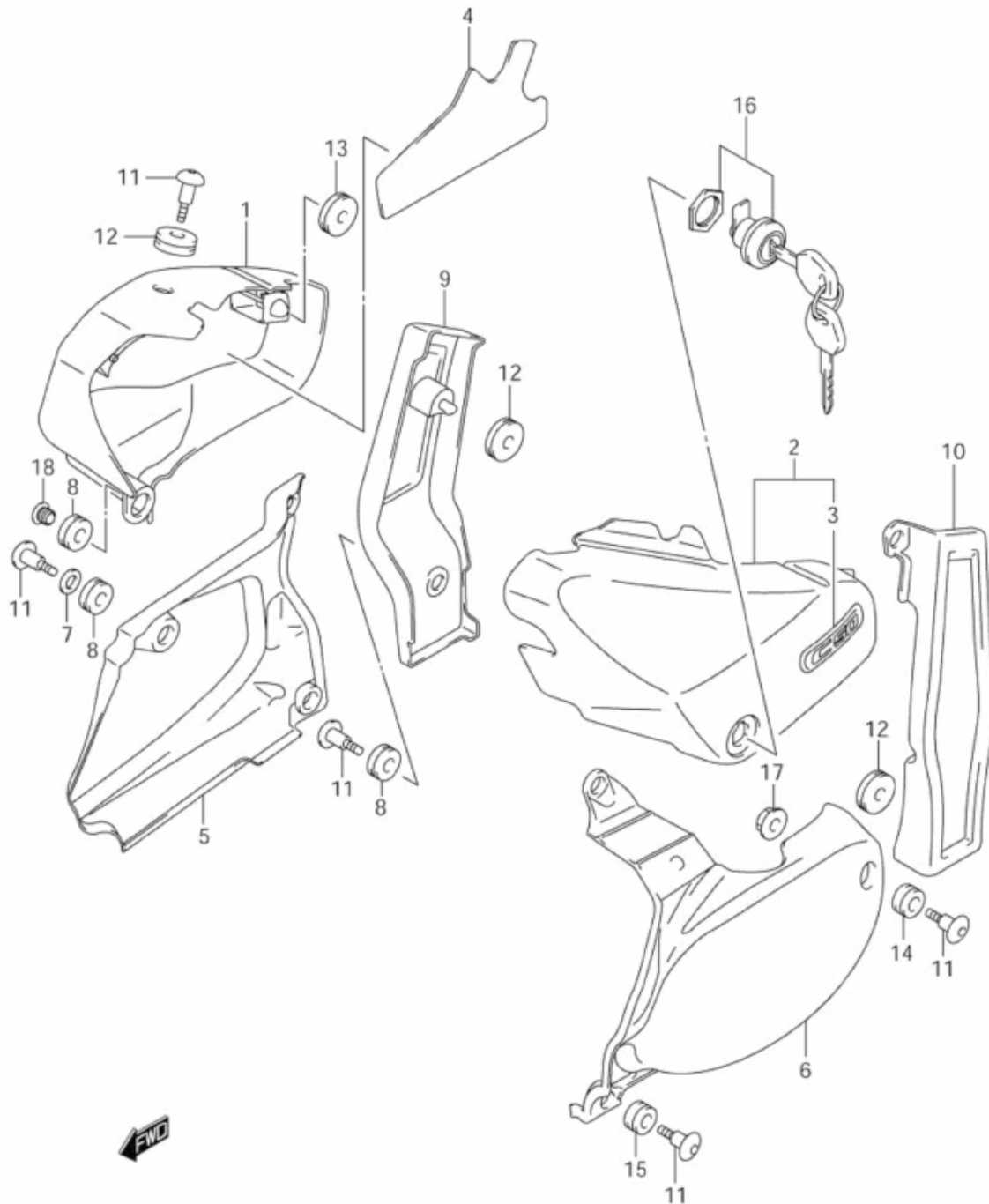
FIG.40A



www.Alpha-Sports.com

VL800K1 E03 E28_040A
EVAPO SYSTEM

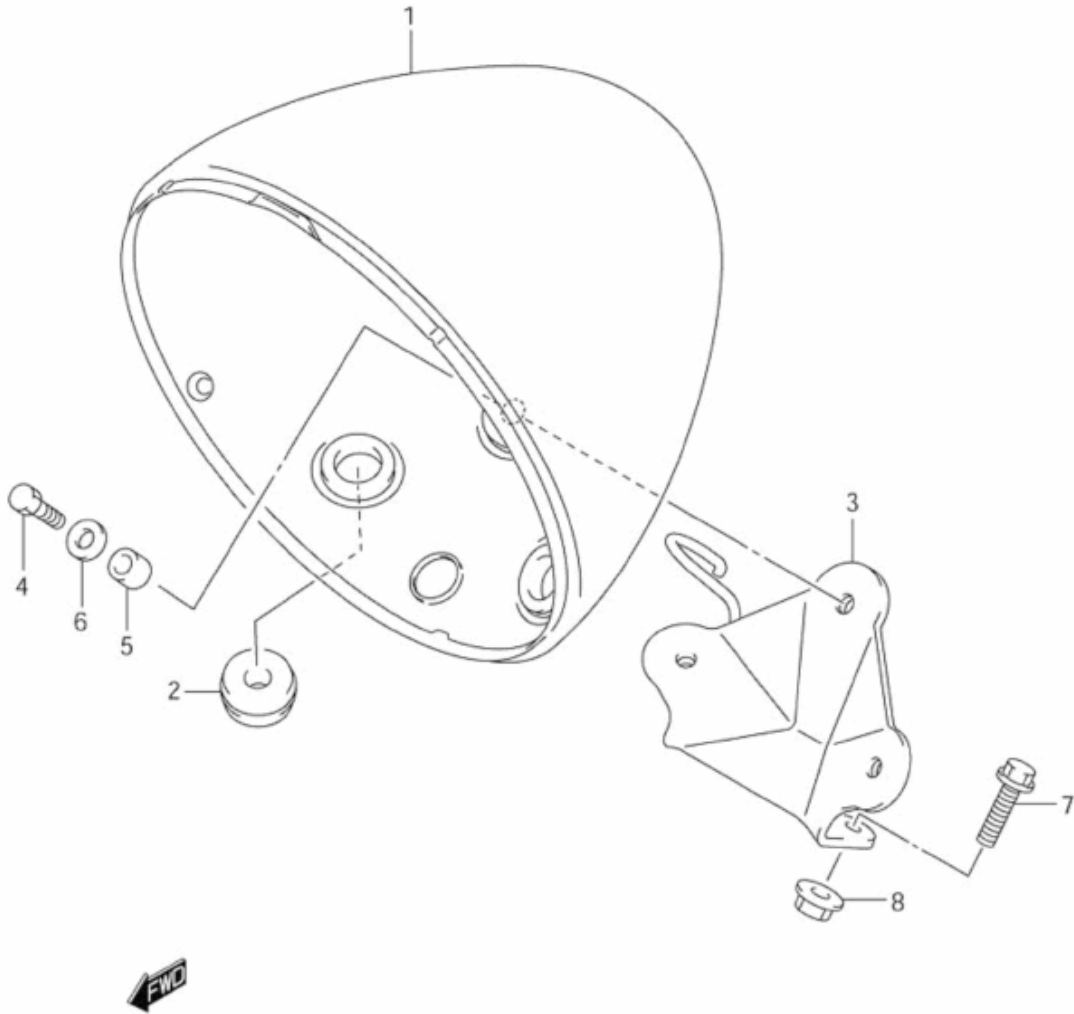
FIG.41D



www.Alpha-Sports.com

VL800K1 E03 E28_041D
FRAME COVER

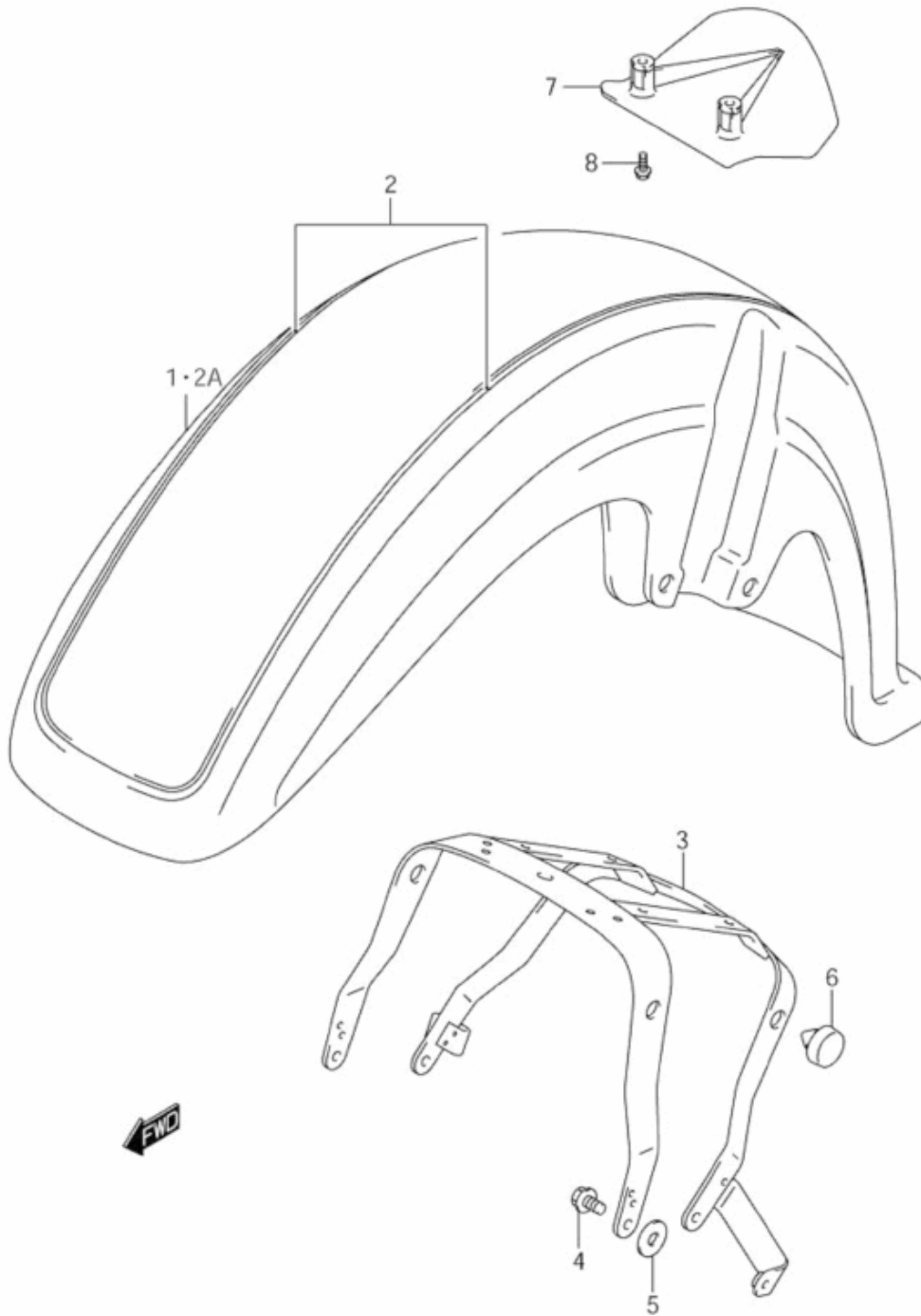
FIG.42A



www.Alpha-Sports.com

VL800K1 E03 E28_042A
HEADLAMP HOUSING

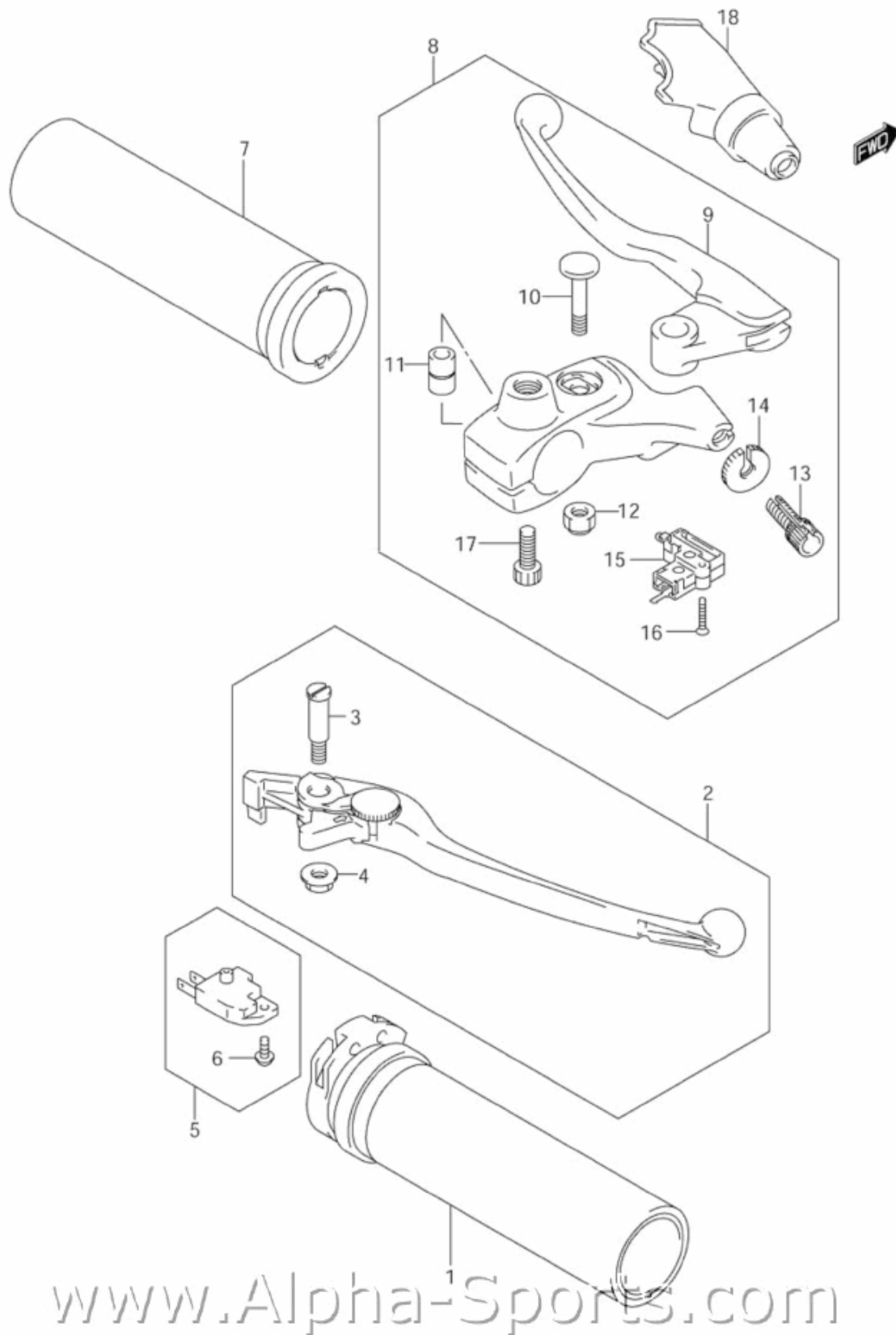
FIG.43C



www.Alpha-Sports.com

VL800K1 E03 E28_043C
FRONT FENDER

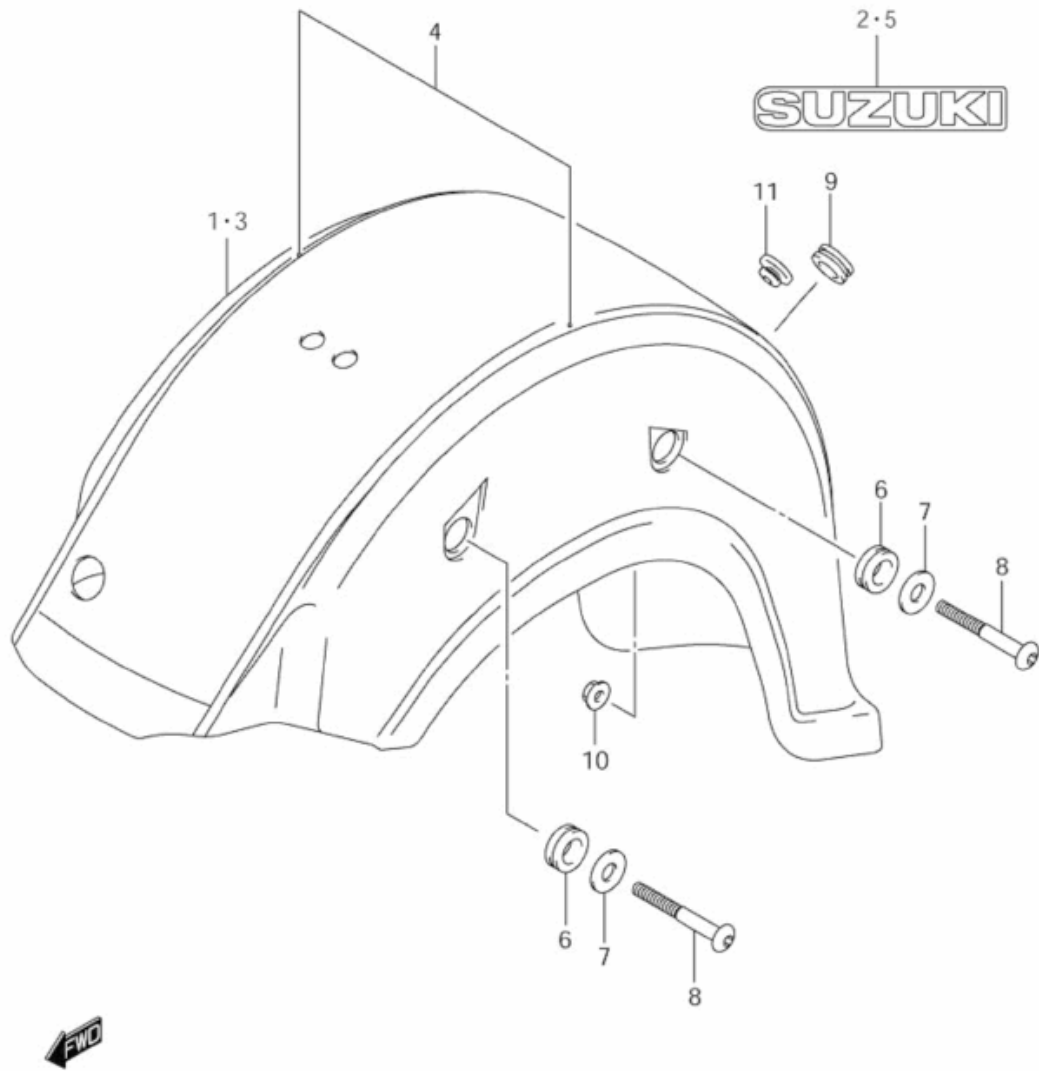
FIG.45



VL800K1 E03 E28_045
HANDLE LEVER

www.Alpha-Sports.com

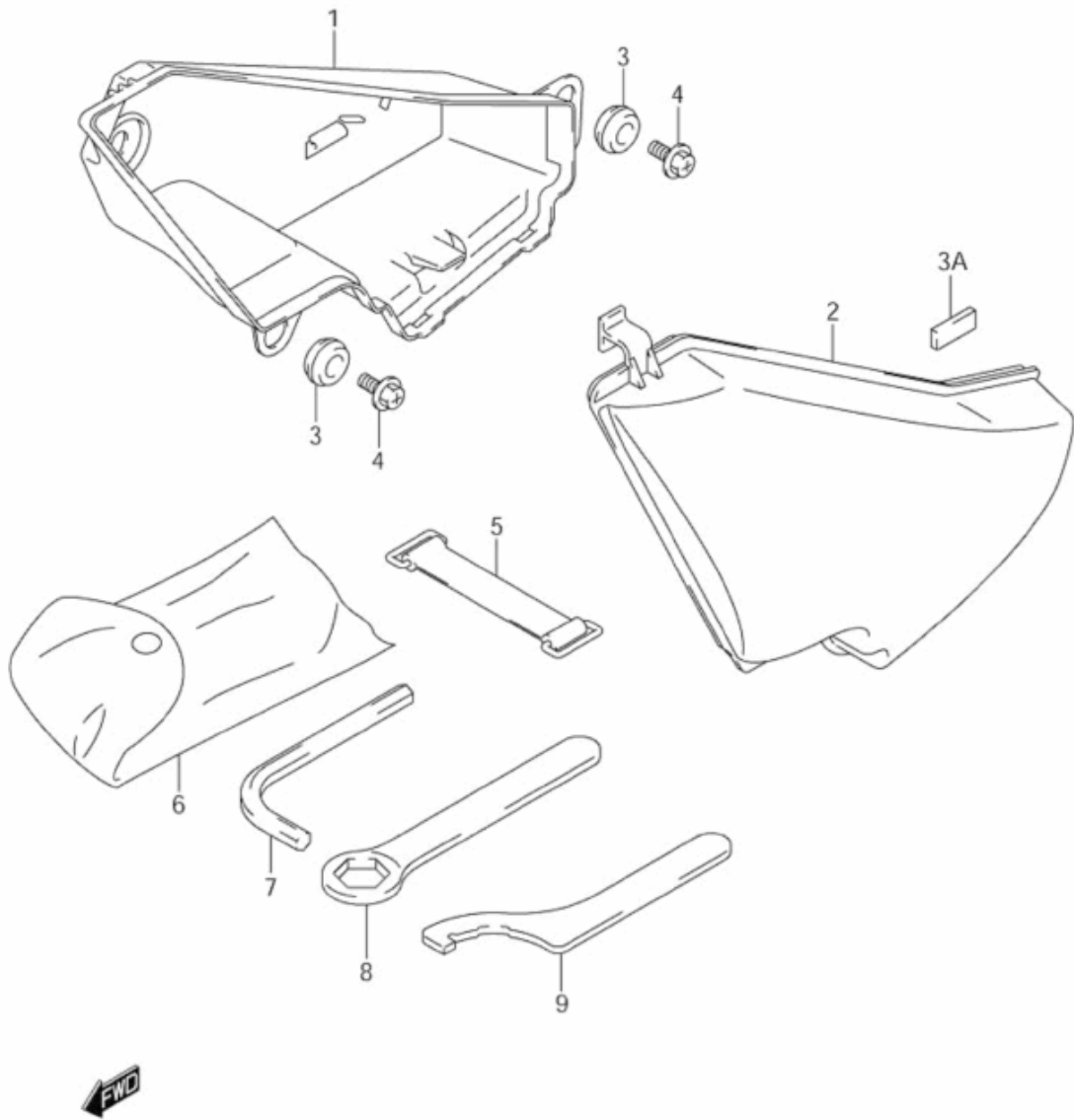
FIG.46E



www.Alpha-Sports.com

VL800K1 E03 E28_046E
REAR FENDER

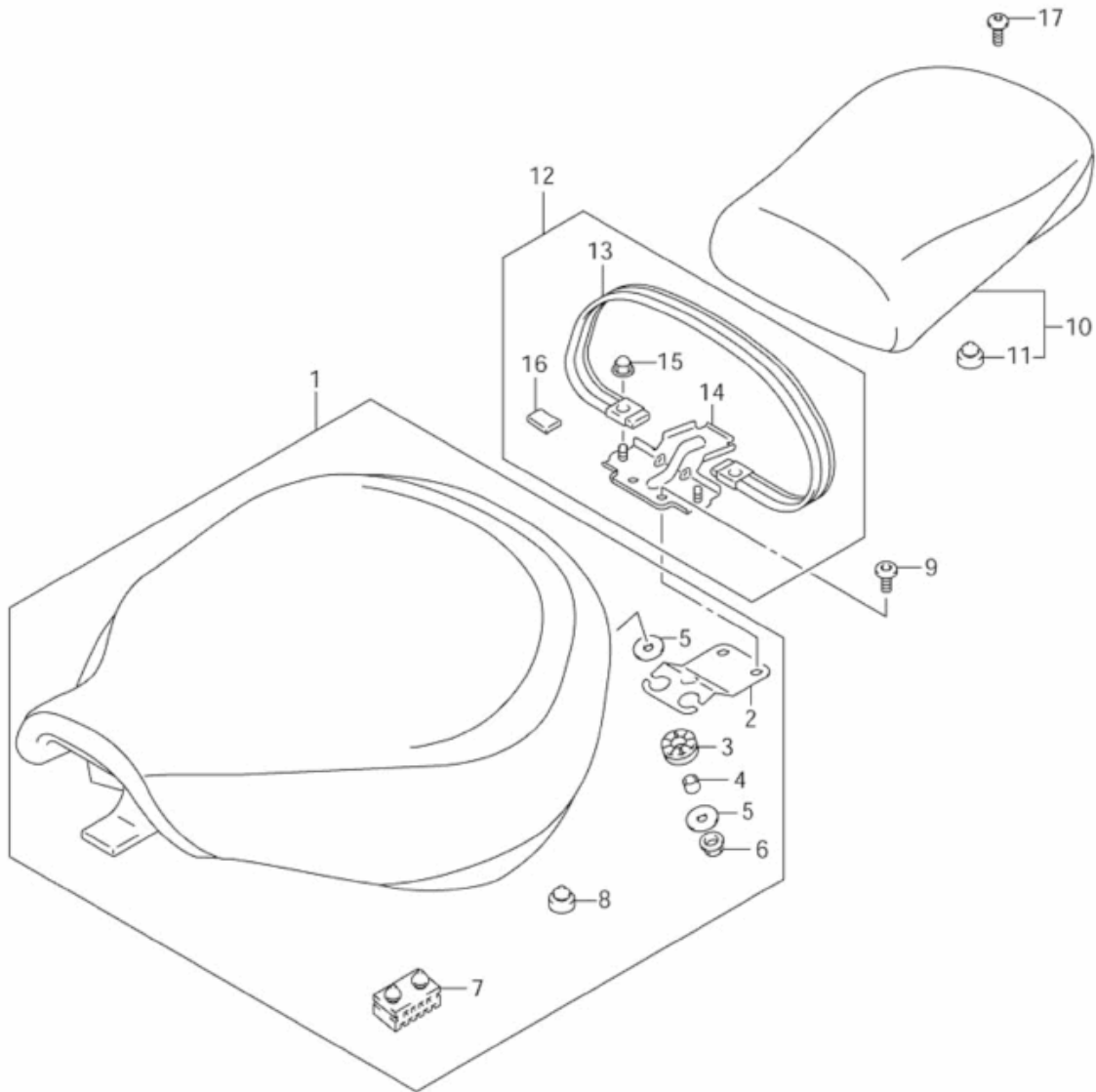
FIG.47



www.Alpha-Sports.com

VL800K1 E03 E28_047
LUGGAGE BOX

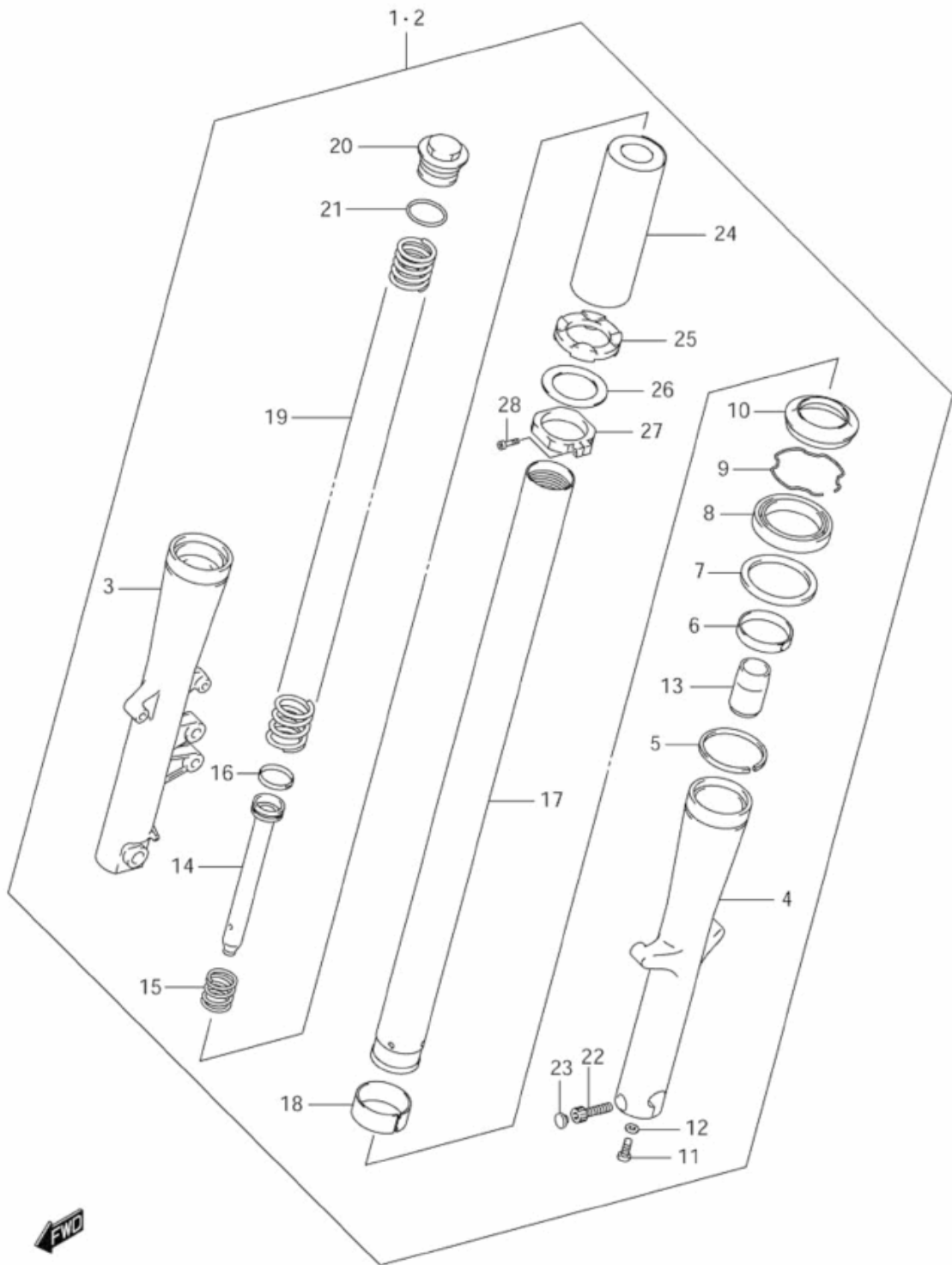
FIG.49



www.Alpha-Sports.com

VL800K1 E03 E28_049
SEAT

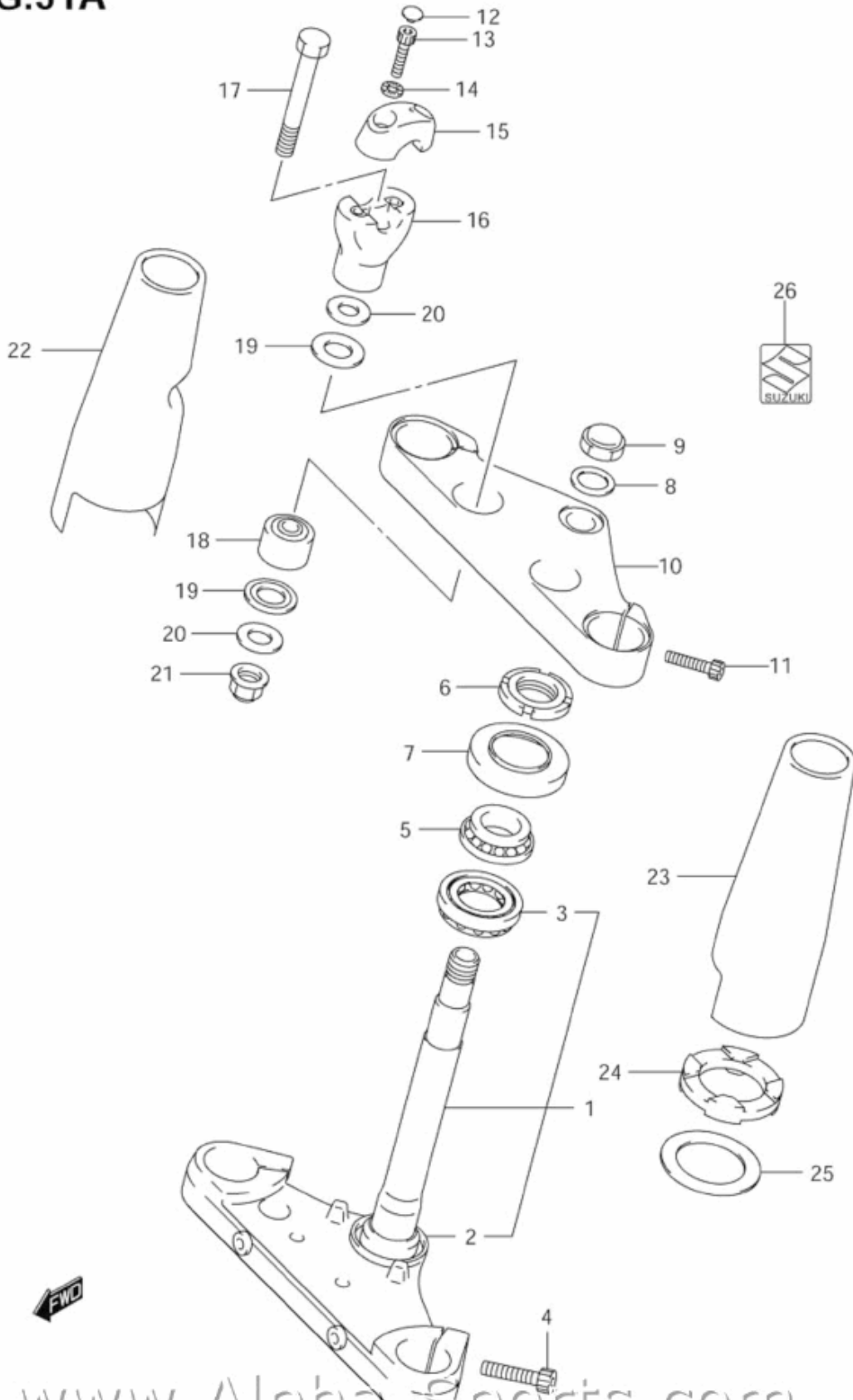
FIG.50A



www.Alpha-Sports.com

VL800K1 E03 E28_050A
FRONT DAMPER

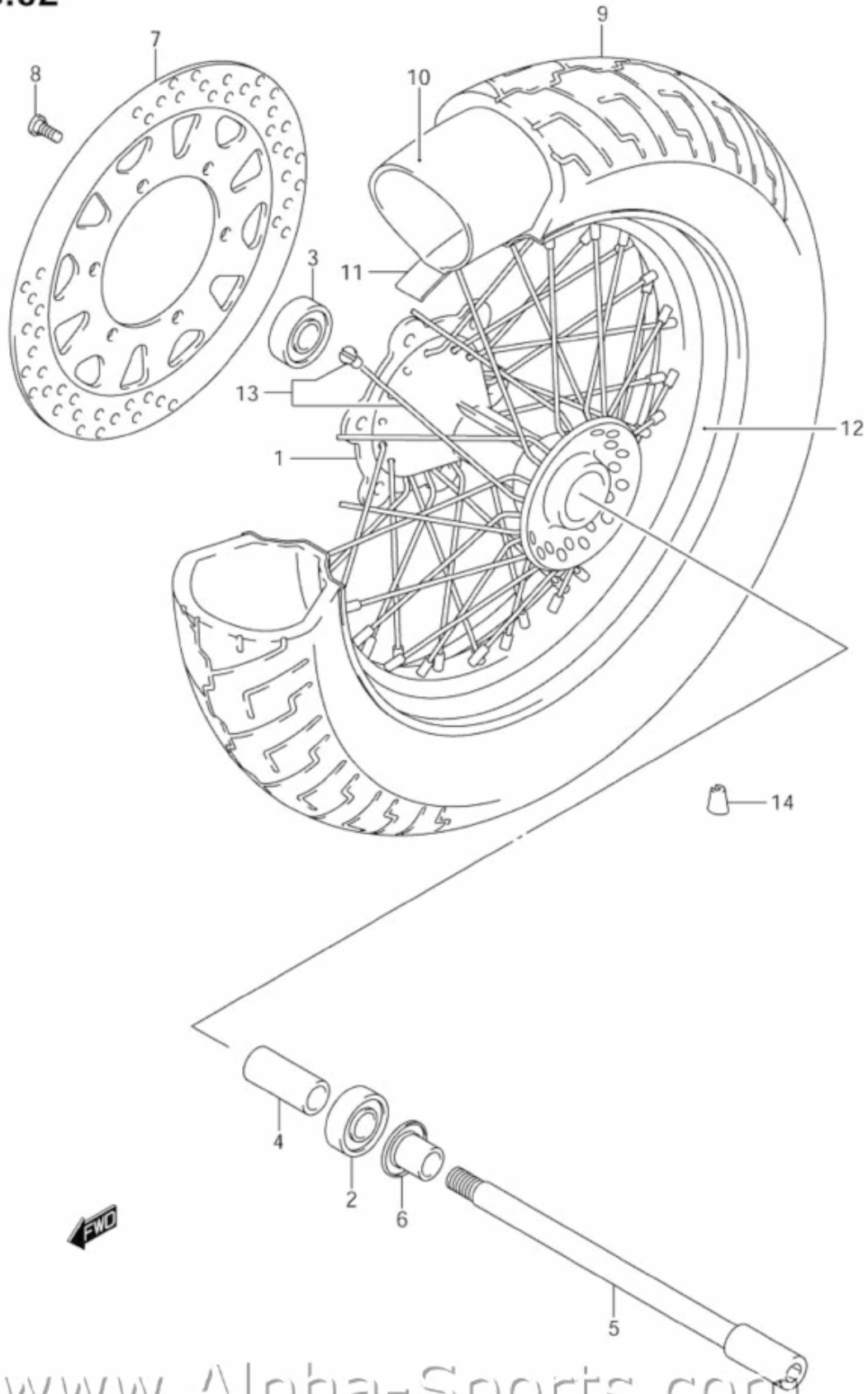
FIG.51A



www.Alpha-Sports.com

VL800K1 E03 E28_051A
STEERING STEM

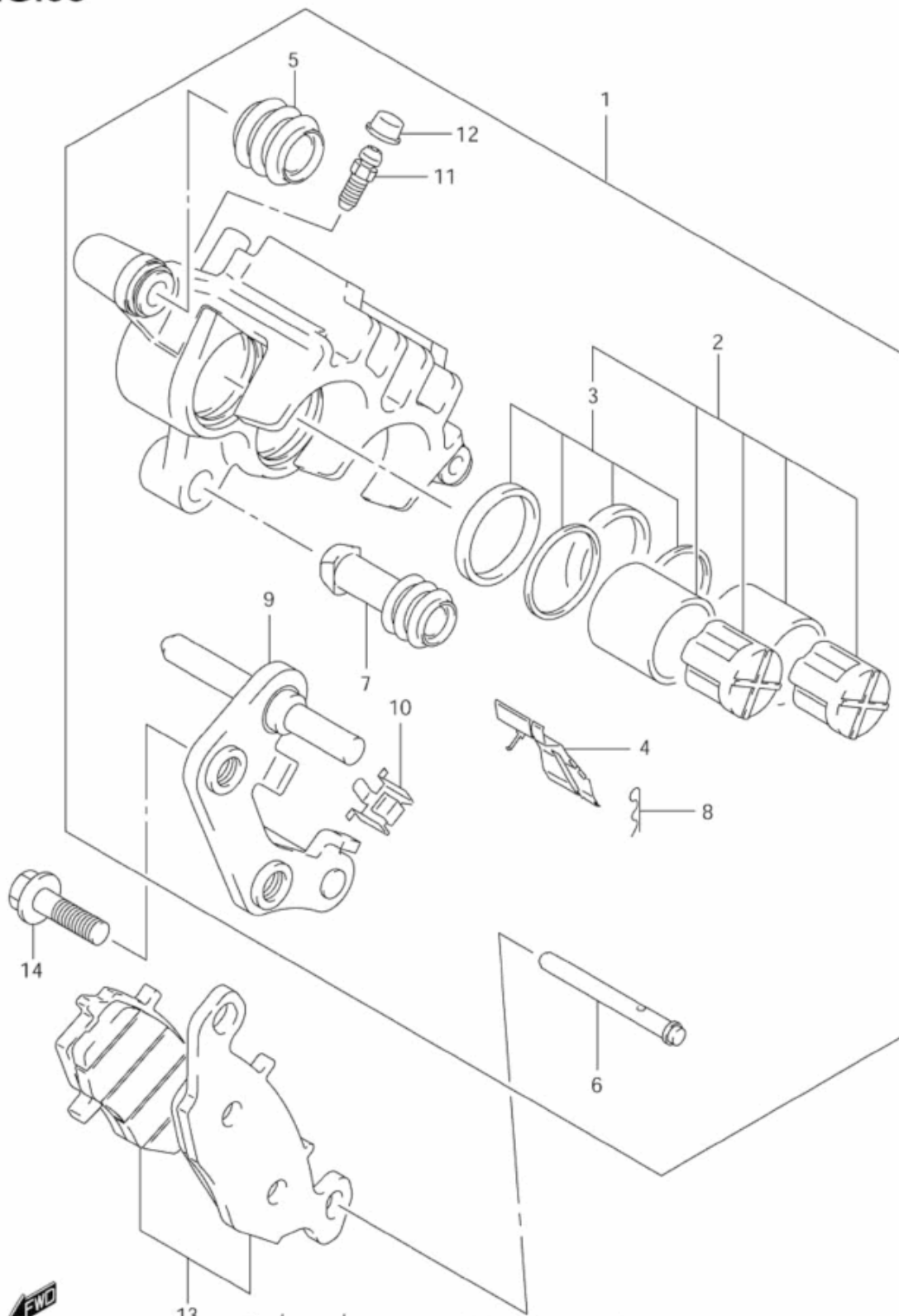
FIG.52



www.Alpha-Sports.com

VL800K1 E03 E28_052
FRONT WHEEL

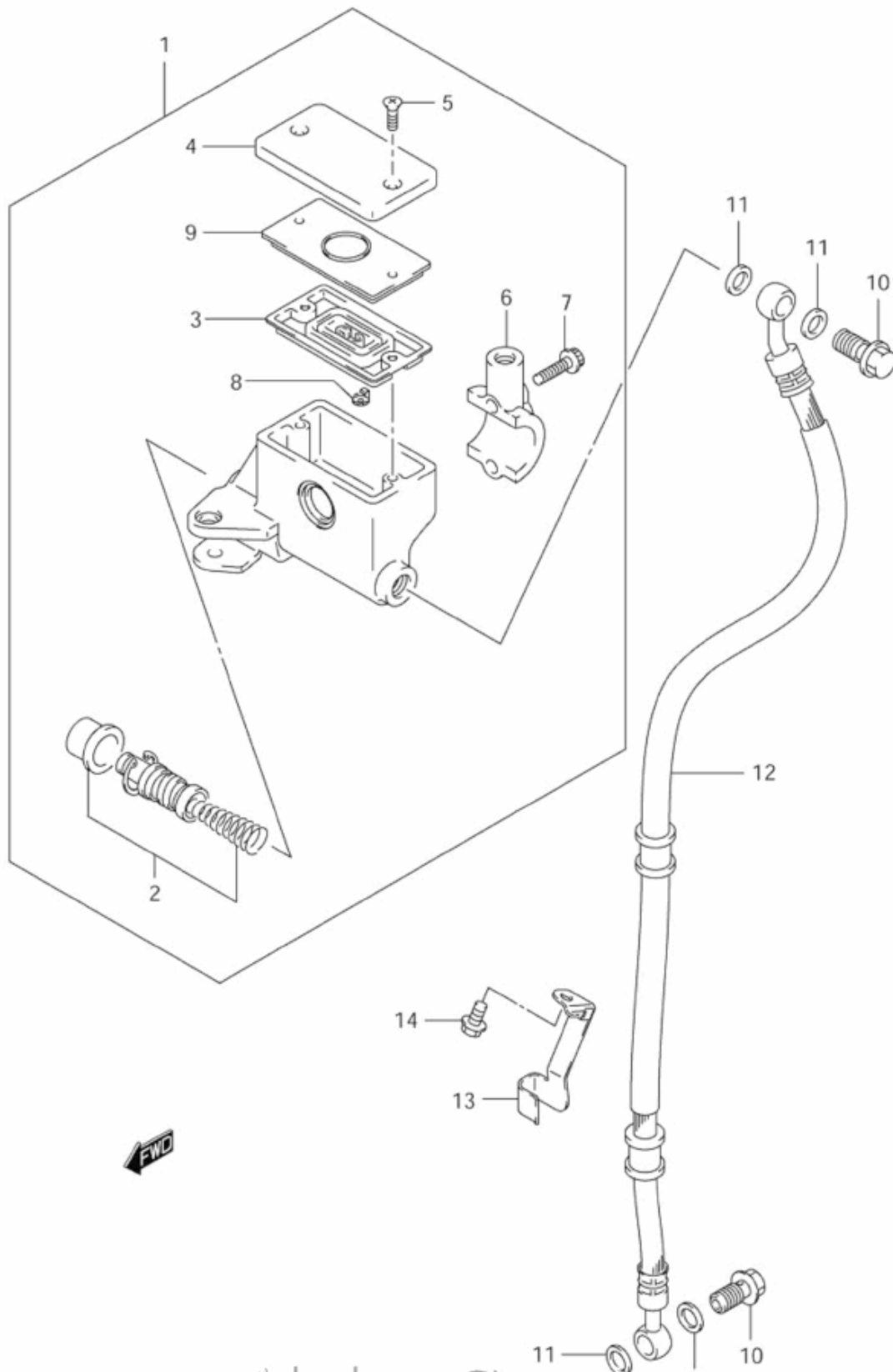
FIG.53



www.Alpha-Sports.com

VL800K1 E03 E28_053
FRONT CALIPER

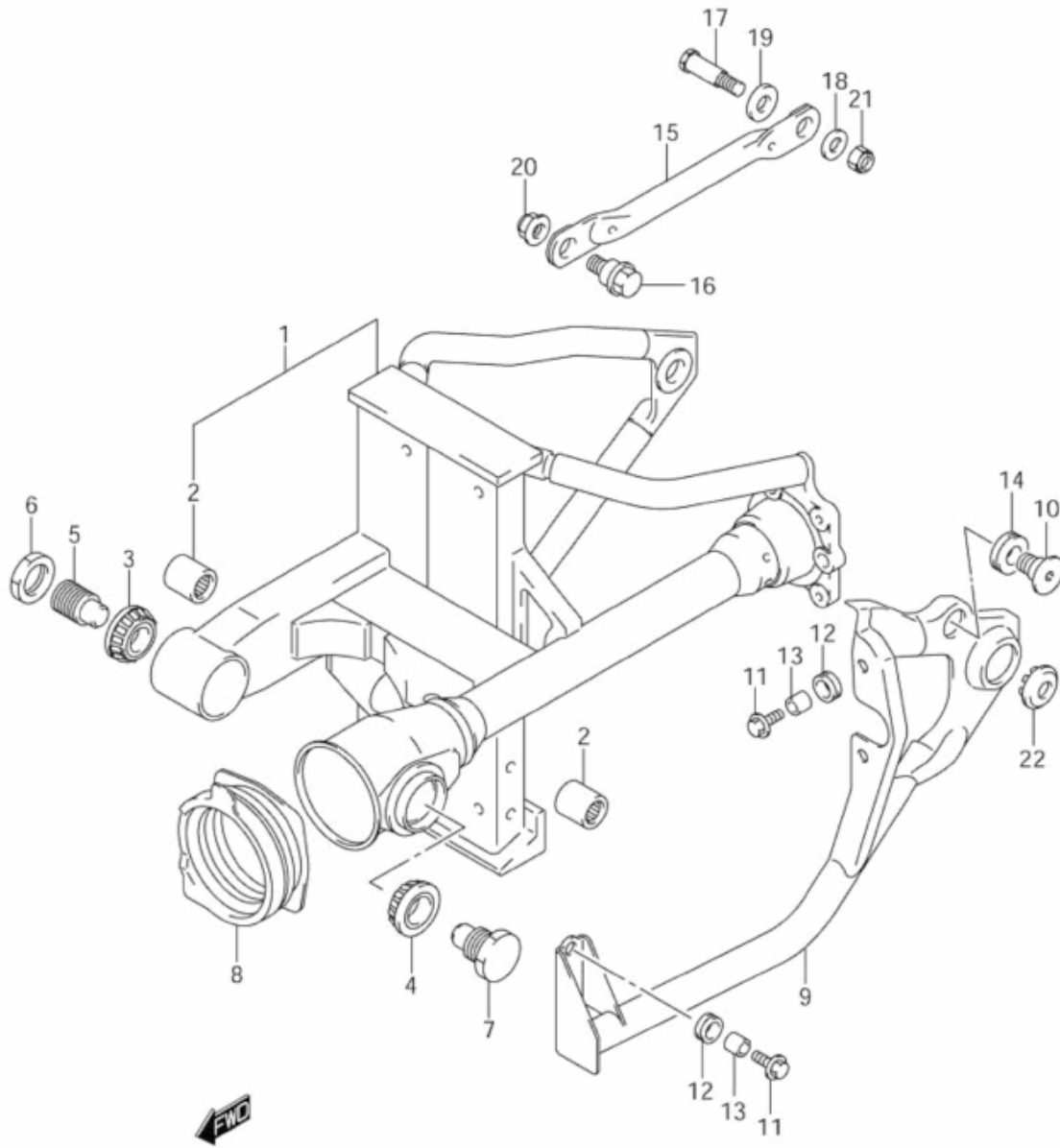
FIG.54



www.Alpha-Sports1.com

VL800K1 E03 E28_054
FRONT MASTER CYLINDER

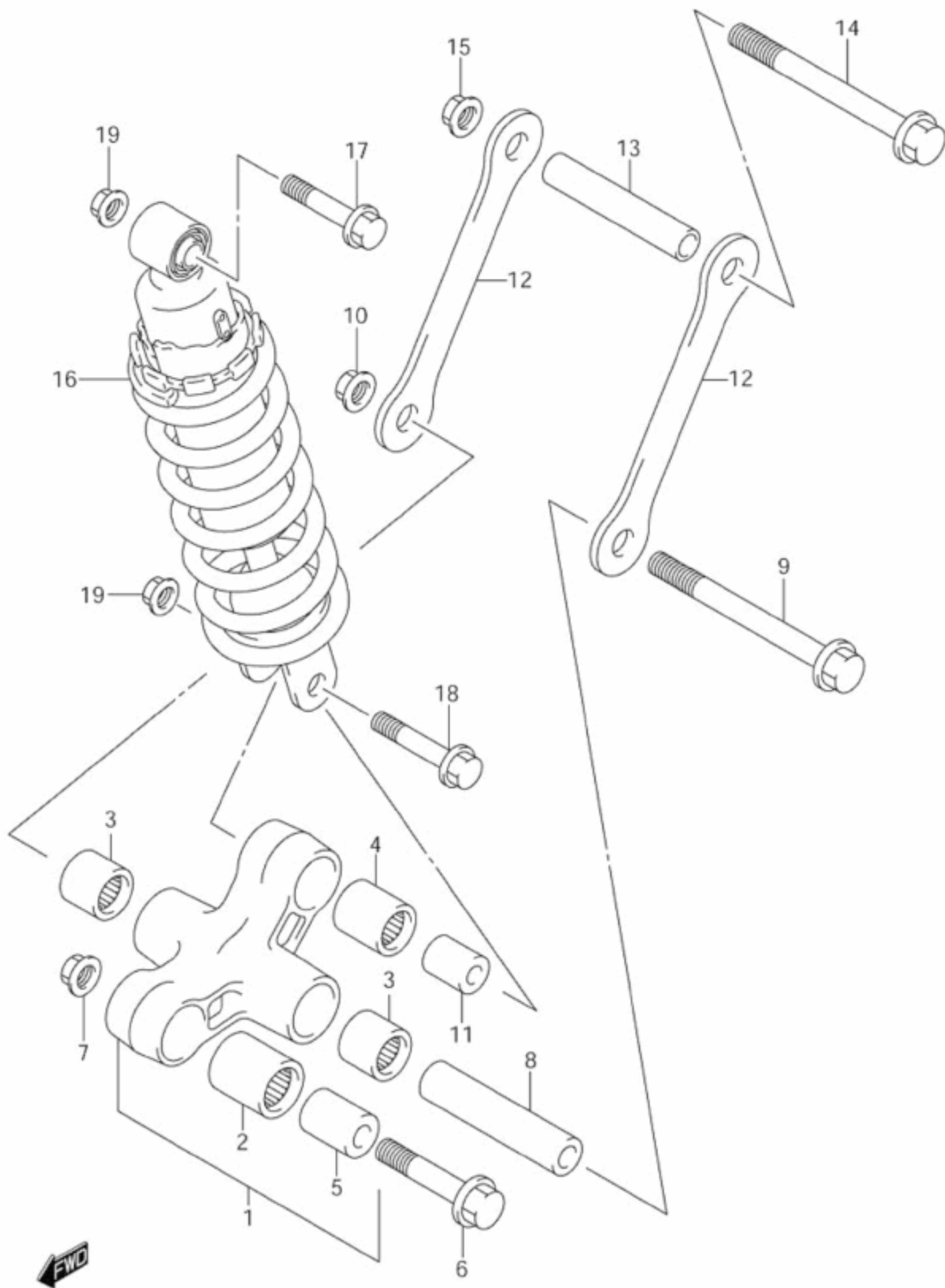
FIG.55A



www.Alpha-Sports.com

VL800K1 E03 E28_055A
REAR SWINGING ARM

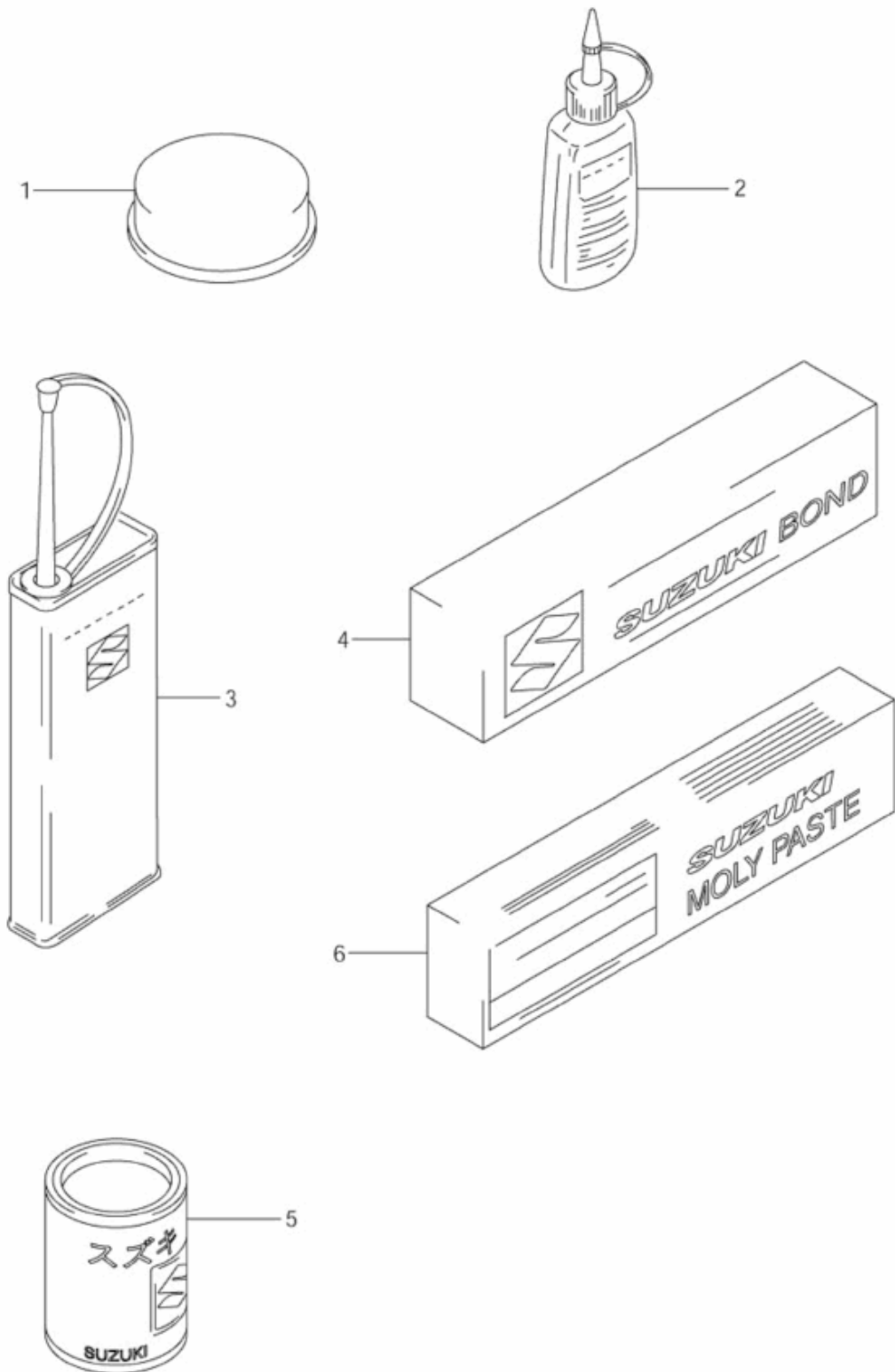
FIG.56



www.Alpha-Sports.com

VL800K1 E03 E28_056
REAR CUSHION LEVER

FIG.58



www.Alpha-Sports.com

VL800K1 E03 E28_058
OPTIONAL

COLOR CODE CHART

<u>CODE</u>	<u>COLOR</u>	<u>CODE</u>	<u>COLOR</u>
AAV	YC3,YV2	YAR	PEARL DEEP SEA BLUE
AAW	YAR,YU8	YAU	BARREL GRAY METALLIC
ABZ	28C,24G,YV2,YC3	YAY	PEARL NEBULAR BLACK
ACA	YD8,YAR,YU8	YBA	SUZUKI DEEP BLUE NO.2
ACV	0AT,YAY	YBD	SPLASH WHITE
ADF	0AT,YC3	YCL	SPARKLE GALAXY SILVER
ADG	0AT,YU8	YC2	CANDY GRAND BLUE
ADK	Y9K,YAY	YC3	PEARL GLASS WHITE
AVU	YM6,YAY	YC6	CANDY VELVETY RED
AVY	YAU,0MT,17U	YD8	SONIC SILVER METALLIC
AWC	YGV,YAU	YES	MICRO METAL SILVER
BEL	YBA,17U,YAY,1ZY	YGV	SPIDER GRAY METALLIC
BEM	YM6,YD8,YAY,1ZZ	YL9	NORSE BLUE METALLIC
FH9	YC2,33J	YM2	PEARL FROSTY WHITE
FP3	33J,YC6	YM6	GALAXY SILVER METALLIC
FP4	33J,YC3	YM7	ABYSS BLUE METALLIC
FP5	YM7,YL9	YT4	SPARKLE RIOT BLACK (TAPE)
FW7	0MT,019,YM7,17U	YU8	FLINT GRAY METALLIC
FW8	0MT,33J,17U	YV2	VARIABLE SILVER METALLIC
GC1	17U,YC6,33J	YV4	SURF GREEN METALLIC
GC2	1ZY,YC3,33J	Y9K	LIGHT COPPER BROWN METALLIC
GC3	17U,YL9,YM7	0AT	SILVER
HE6	YD8,YM6	0MT	SILVER
HJ1	17U,YC2,33J	019	BLACK
HJ2	019,0MT,20G,YM6	1KK	LEGATO GOLD
KT9	YM2,YM6	1ZY	URBAN LIGHT GRAY METALLIC
KU1	YD8,YV4	1ZZ	URBAN MEDIUM GRAY METALLIC
LS9	20G,YCL,YM6,YM2	17U	GRAY METALLIC
LT1	1KK,20G,YV4,YD8	20G	CHARCOAL GRAY METALLIC
LT2	1KK,YT4,33J	24G	LEGATO GOLD METALLIC
ME4	1KK,YT4,YC3	28C	DUNE GRAY METALLIC
NV8	0AT,YAU	33J	PEARL NOVELTY BLACK
NY3	YBD,YAY	48H	BLACK

**** NOTE: FOR PAINT INQUIRIES PLEASE CALL COLOR-RITE AT (800) 736-7980**

Libro de taller VL800 2005

MILLIMETER → INCH CONVERSION CHART TABLEAU DE CONVERSION DE MILLIMETRES → POUCES

	0	1	2	3	4	5	6	7	8	9
00	.000	.039	.079	.118	.157	.197	.236	.276	.315	.354
10	.394	.433	.472	.512	.551	.591	.630	.669	.709	.748
20	.787	.827	.866	.906	.945	.984	1.024	1.063	1.102	1.142
30	1.181	1.220	1.260	1.299	1.339	1.378	1.417	1.457	1.496	1.535
40	1.575	1.614	1.654	1.693	1.732	1.772	1.811	1.850	1.890	1.929
50	1.969	2.008	2.047	2.087	2.126	2.165	2.205	2.214	2.283	2.323
60	2.362	2.402	2.441	2.480	2.520	2.559	2.598	2.638	2.677	2.717
70	2.756	2.795	2.835	2.874	2.913	2.953	2.992	3.031	3.071	3.110
80	3.150	3.189	3.228	3.268	3.307	3.346	3.386	3.425	3.465	3.504
90	3.543	3.583	3.622	3.661	3.701	3.740	3.780	3.819	3.858	3.898

How to read Mode de lecture

	0	1	2	3	4	
00
10
20	0.906
30

23 millimeters equal 0.906 inch
23 millimètres égalent 0.906 pouce

Contents are subject to change without notice or obligation.

Les matières traitées sont susceptibles d'être modifiées sans préavis obligation de notre part.

www.Alpha-Sports.com